



S-CLASS

SOFT SEATED BALL VALVES

KEYSTONE

S-CLASS
CUSTOM SOFT SEATED

(905)825-2627
goscovallves.com

KEYSTONE

GOSCO'S PILLARS OF SUCCESS:

COLLABORATION

PERFORMANCE

ENGINEERING

RESPONSE

QUALITY

GOSCO'S PILLARS OF SUCCESS:

Success through R&D partnerships



COLLABORATION

PERFORMANCE

ENGINEERING

RESPONSE

QUALITY

GOSCO'S PILLARS OF SUCCESS:

Specialize in the most complex and
abrasive applications



COLLABORATION

PERFORMANCE

ENGINEERING

RESPONSE

QUALITY

S-CLASS
CUSTOM SOFT SEATED

(905)825-2627
goscovalves.com

KEYSTONE

GOSCO'S PILLARS OF SUCCESS:

Dedicated to advancing valve
technology



COLLABORATION

PERFORMANCE

ENGINEERING

RESPONSE

QUALITY

S-CLASS
CUSTOM SOFT SEATED

(905)825-2627
goscovalue.com

KEYSTONE

GOSCO'S PILLARS OF SUCCESS:

Fast response to designs
and delivery



COLLABORATION

PERFORMANCE

ENGINEERING

RESPONSE

QUALITY

GOSCO'S PILLARS OF SUCCESS:

Designed, machined, assembled and tested in North America



COLLABORATION

PERFORMANCE

ENGINEERING

RESPONSE

QUALITY

S-CLASS
CUSTOM SOFT SEATED

(905)825-2627
goscovallves.com

KEYSTONE



S-CLASS VALVES

S-CLASS
CUSTOM SOFT SEATED

(905)825-2627
goscovallves.com

KEYSTONE



S-CLASS VALVES

1/2" to 16" full port

S-CLASS
CUSTOM SOFT SEATED

(905)825-2627
goscovallves.com

KEYSTONE



S-CLASS VALVES

1/2" to 16" full port

Up to 1500# class

S-CLASS
CUSTOM SOFT SEATED

(905)825-2627
goscovales.com

KEYSTONE



S-CLASS VALVES

1/2" to 16" full port

Up to 1500# class

-328 °F/-200 °C to 550 °F/287 °C

S-CLASS
CUSTOM SOFT SEATED

(905)825-2627
goscovallves.com

KEYSTONE



S-CLASS VALVES

1/2" to 16" full port

Up to 1500# class

-328 °F/-200 °C to 550 °F/287 °C

6-8 week delivery

S-CLASS
CUSTOM SOFT SEATED

(905)825-2627
goscovales.com

KEYSTONE



S-CLASS VALVES

1/2" to 16" full port

Up to 1500# class

-328 °F/-200 °C to 550 °F/287 °C

6-8 week delivery

Modular system

S-CLASS
CUSTOM SOFT SEATED

(905)825-2627
goscovales.com

KEYSTONE

S-CLASS
CUSTOM SOFT SEATED

(905)825-2627
goscovallves.com



S-CLASS CONFIGURATIONS

S-CLASS
CUSTOM SOFT SEATED

(905)825-2627
goscovallves.com



S-CLASS CONFIGURATIONS



ON/OFF

S-CLASS
CUSTOM SOFT SEATED

(905)825-2627
goscovallves.com



S-CLASS CONFIGURATIONS



ON/OFF



VARI-V CONTROL

S-CLASS CONFIGURATIONS



ON/OFF



VARI-V CONTROL



CRYOGENIC

S-CLASS CONFIGURATIONS



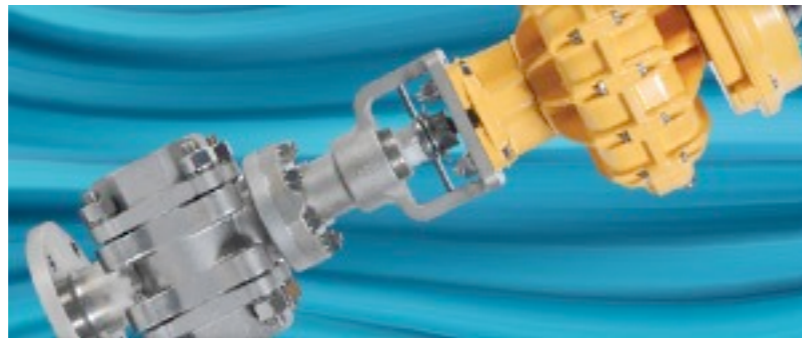
ON/OFF



VARI-V CONTROL



CRYOGENIC



3-WAY DIVERTER

S-CLASS CONFIGURATIONS



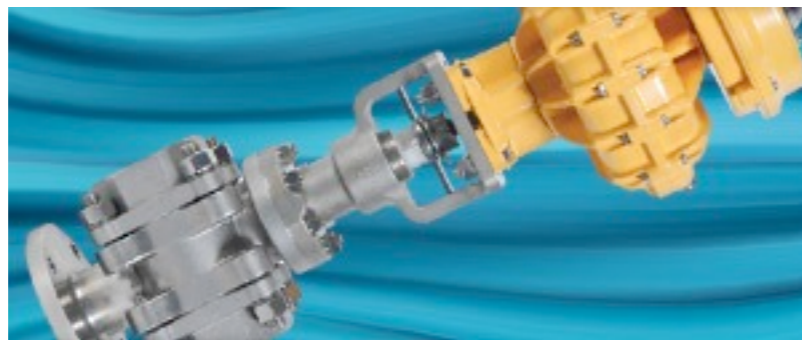
ON/OFF



VARI-V CONTROL



CRYOGENIC



3-WAY DIVERTER



BLOCK & BLEED

S-CLASS
CUSTOM SOFT SEATED

(905)825-2627
goscovallves.com





ON/OFF

S-CLASS
CUSTOM SOFT SEATED

(905)825-2627
goscovallves.com





ON/OFF

Extended bonnet

S-CLASS
CUSTOM SOFT SEATED

(905)825-2627
goscovales.com





ON/OFF

Extended bonnet

Stem sealing system

S-CLASS
CUSTOM SOFT SEATED

(905)825-2627
goscovallves.com





ON/OFF

Extended bonnet

Stem sealing system

Fugitive Emissions Port

S-CLASS
CUSTOM SOFT SEATED

(905)825-2627
goscovallves.com





ON/OFF

Extended bonnet

Stem sealing system

Fugitive Emissions Port

Clearview mounting

S-CLASS
CUSTOM SOFT SEATED

(905)825-2627
goscovallves.com





ON/OFF

Extended bonnet

Stem sealing system

Fugitive Emissions Port

Clearview mounting

Exotic alloy options

S-CLASS
CUSTOM SOFT SEATED

(905)825-2627
goscovallves.com





ON/OFF

Extended bonnet

Stem sealing system

Fugitive Emissions Port

Clearview mounting

Exotic alloy options

Arcuate cut ball

S-CLASS
CUSTOM SOFT SEATED

(905)825-2627
goscovallves.com



S-CLASS
CUSTOM SOFT SEATED

(905)825-2627
goscovallves.com





VARI-V CONTROL

S-CLASS
CUSTOM SOFT SEATED

(905)825-2627
goscovallves.com





VARI-V CONTROL

Precise flow control

S-CLASS
CUSTOM SOFT SEATED

(905)825-2627
goscovales.com





VARI-V CONTROL

Precise flow control

10°, 30°, 60°, and 90° V's

S-CLASS
CUSTOM SOFT SEATED

(905)825-2627
goscovallves.com





VARI-V CONTROL

Precise flow control

10°, 30°, 60°, and 90° V's

Custom V-Balls available

S-CLASS
CUSTOM SOFT SEATED

(905)825-2627
goscovallves.com





VARI-V CONTROL

Precise flow control

10°, 30°, 60°, and 90° V's

Custom V-Balls available

Short delivery times

S-CLASS
CUSTOM SOFT SEATED

(905)825-2627
goscovallves.com



S-CLASS
CUSTOM SOFT SEATED

(905)825-2627
goscovallves.com



VARI-V BALLS



S-CLASS
CUSTOM SOFT SEATED

(905)825-2627
goscovallves.com



S-CLASS
CUSTOM SOFT SEATED

(905)825-2627
goscovallves.com



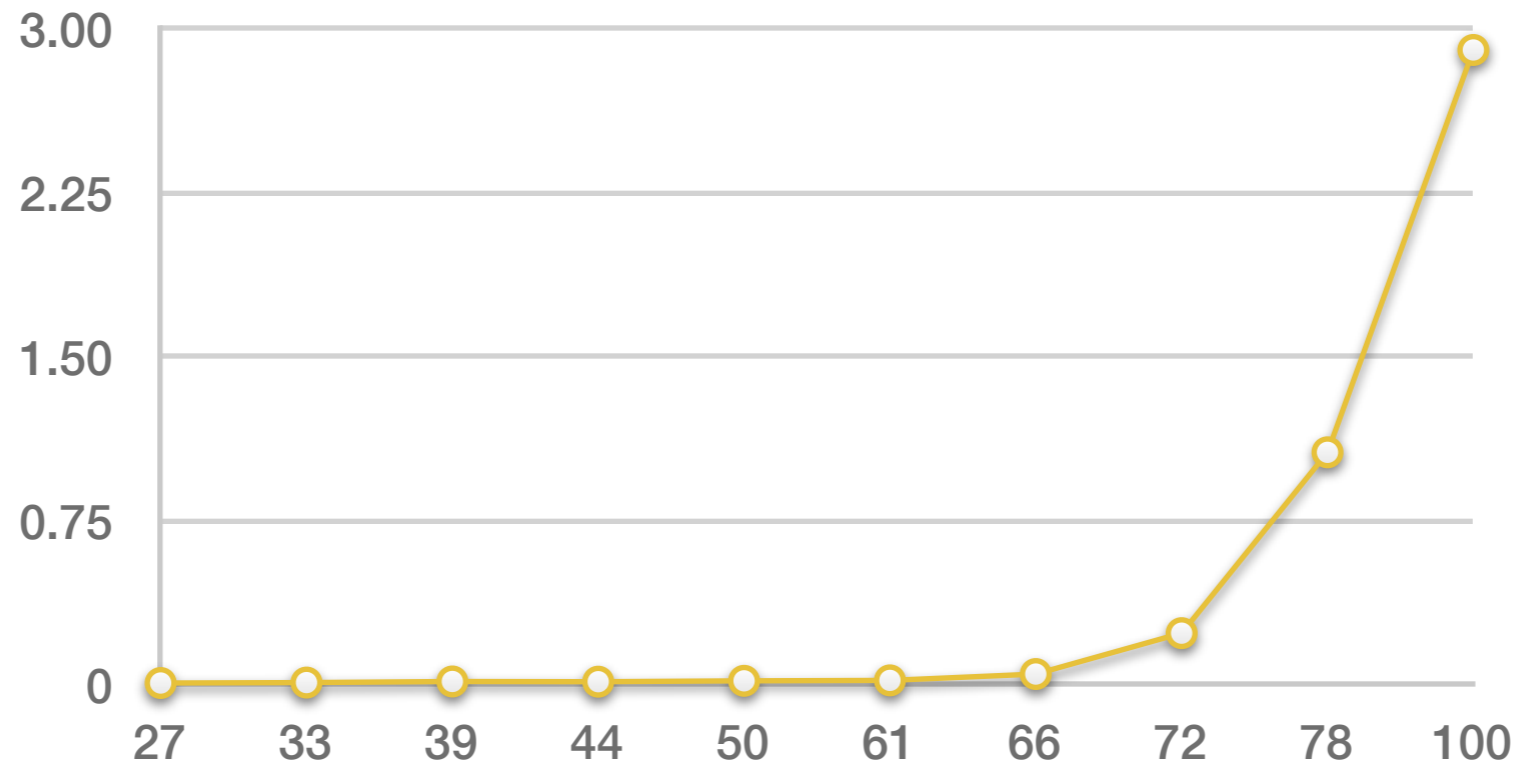
CUSTOM V-BALL C_v CURVE

S-CLASS
CUSTOM SOFT SEATED

(905)825-2627
goscovallves.com

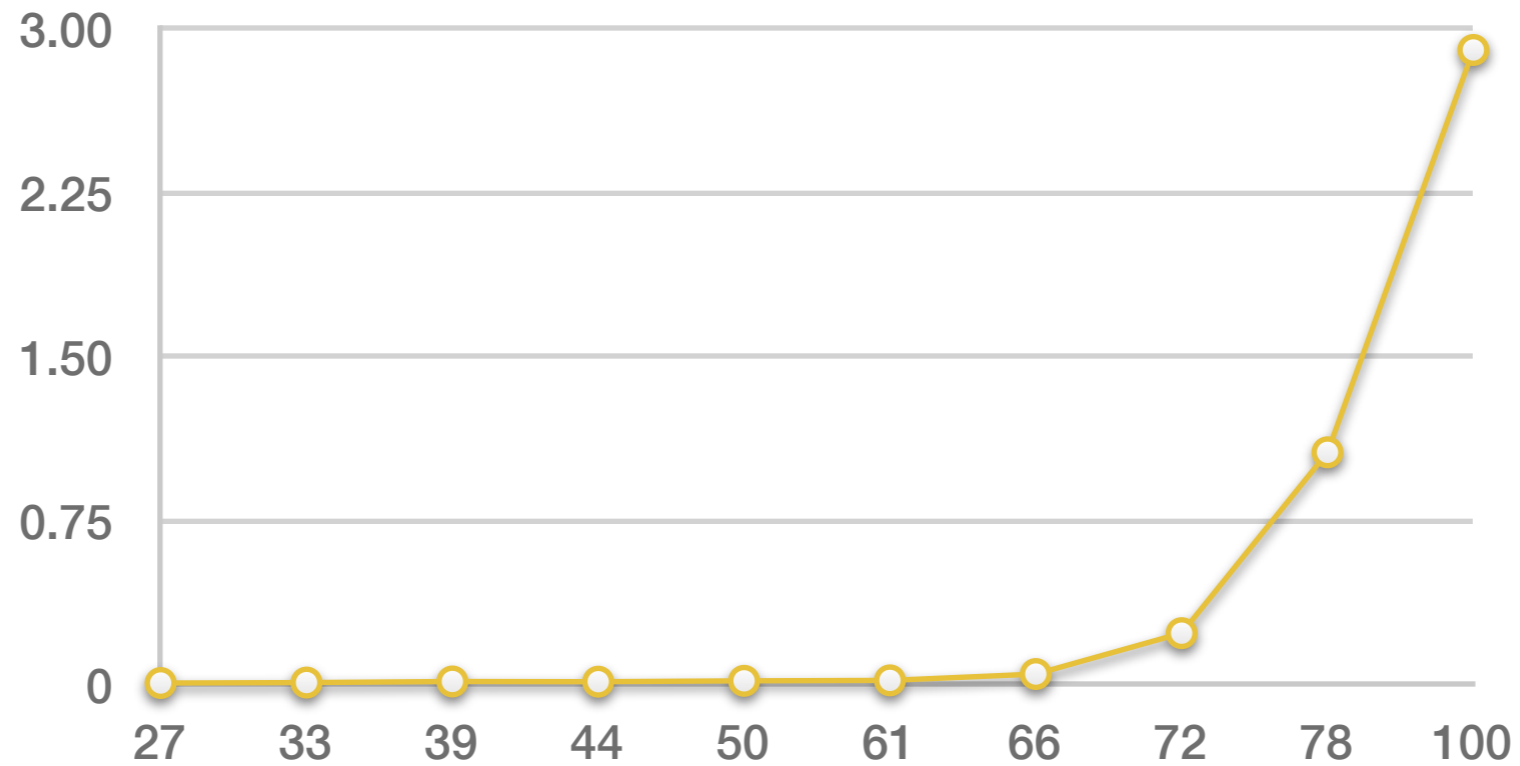
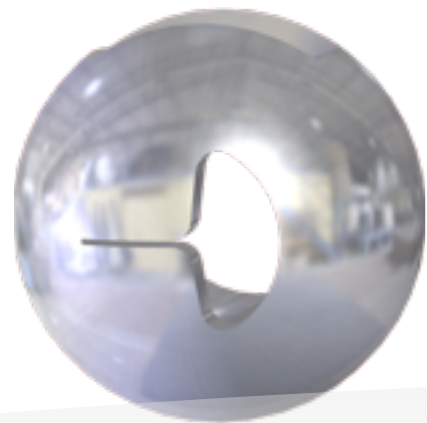


CUSTOM V-BALL C_v CURVE



Flow requirements for one of our custom V-balls.

CUSTOM V-BALL C_v CURVE



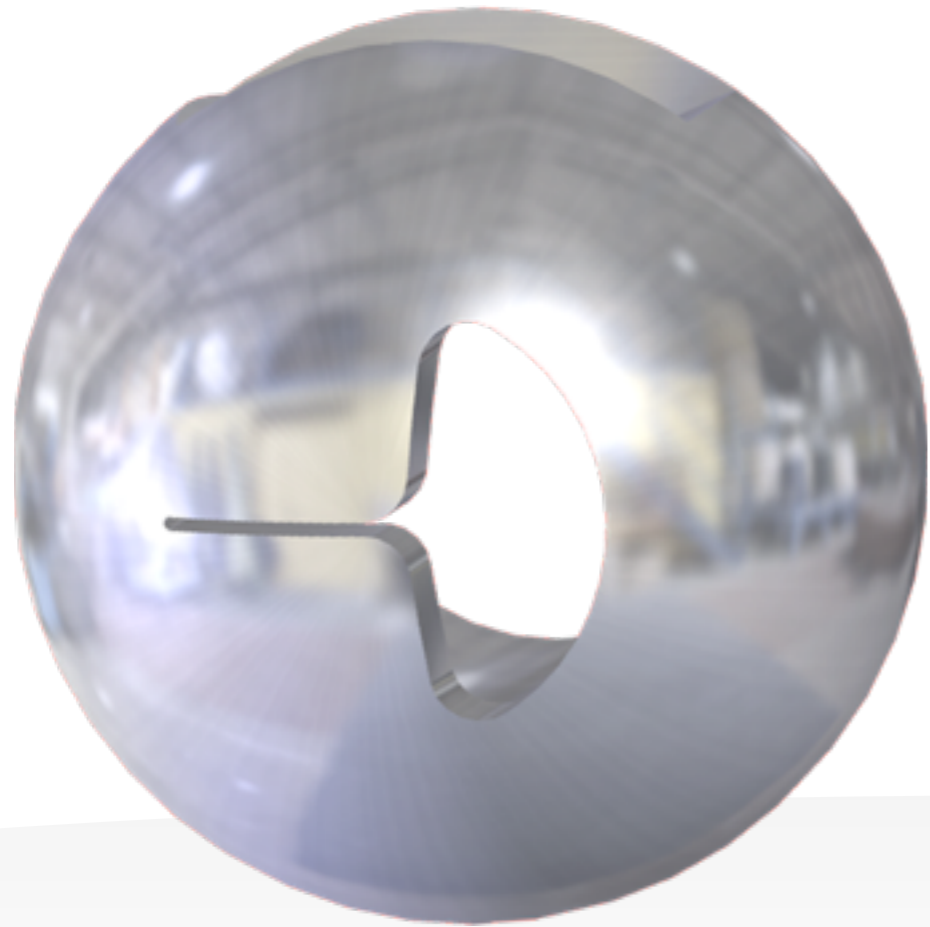
Flow requirements for one of our custom V-balls.

S-CLASS
CUSTOM SOFT SEATED

(905)825-2627
goscovallves.com



CUSTOM VARI-V BALL



S-CLASS
CUSTOM SOFT SEATED

(905)825-2627
goscovallves.com



CUSTOM VARI-V BALL

Gosco can custom design any profile for your application



SLOT WIDTH IS EQUAL TO THAT OF A HUMAN HAIR.

S-CLASS
CUSTOM SOFT SEATED

(905)825-2627
goscovallves.com





CRYOGENIC

S-CLASS
CUSTOM SOFT SEATED

(905)825-2627
goscovallves.com





CRYOGENIC

-270 °C/ -454 °F capable

S-CLASS
CUSTOM SOFT SEATED

(905)825-2627
goscovallves.com





CRYOGENIC

-270 °C/ -454 °F capable

Minimum 12" bonnet extension

S-CLASS
CUSTOM SOFT SEATED

(905)825-2627
goscovallves.com





CRYOGENIC

-270 °C/ -454 °F capable

Minimum 12" bonnet extension

Detachable bonnet

S-CLASS
CUSTOM SOFT SEATED

(905)825-2627
goscovallves.com





CRYOGENIC

-270 °C/ -454 °F capable

Minimum 12" bonnet extension

Detachable bonnet

Retrofit kit available

S-CLASS
CUSTOM SOFT SEATED

(905)825-2627
goscovallves.com





CRYOGENIC

-270 °C/ -454 °F capable

Minimum 12" bonnet extension

Detachable bonnet

Retrofit kit available

Drilled ball



CRYOGENIC

-270 °C/ -454 °F capable

Minimum 12" bonnet extension

Detachable bonnet

Retrofit kit available

Drilled ball

Fully grounded stem

S-CLASS
CUSTOM SOFT SEATED

(905)825-2627
goscovallves.com





EXTENDED BONNET (CRYOGENIC)

S-CLASS
CUSTOM SOFT SEATED

(905)825-2627
goscovallves.com





EXTENDED BONNET (CRYOGENIC)

Separates actuator/handle from cold process



EXTENDED BONNET (CRYOGENIC)

Separates actuator/handle from cold process

Packing adjustments are above the ice ball

S-CLASS
CUSTOM SOFT SEATED

(905)825-2627
goscovallves.com





3-WAY DIVERTER

S-CLASS
CUSTOM SOFT SEATED

(905)825-2627
goscovales.com





3-WAY DIVERTER

Bottom entry

S-CLASS
CUSTOM SOFT SEATED

(905)825-2627
goscovales.com





3-WAY DIVERTER

Bottom entry

Flow to left or right ports

S-CLASS
CUSTOM SOFT SEATED

(905)825-2627
goscovales.com





3-WAY DIVERTER

Bottom entry

Flow to left or right ports

Single "L": 180° applications

S-CLASS
CUSTOM SOFT SEATED

(905)825-2627
goscovales.com





3-WAY DIVERTER

Bottom entry

Flow to left or right ports

Single "L": 180° applications

Double "L": 90° applications

S-CLASS
CUSTOM SOFT SEATED

(905)825-2627
goscovalves.com





3-WAY DIVERTER

Bottom entry

Flow to left or right ports

Single "L": 180° applications

Double "L": 90° applications

Exotic alloy options

S-CLASS
CUSTOM SOFT SEATED

(905)825-2627
goscovales.com





S-CLASS
CUSTOM SOFT SEATED

(905)825-2627
goscovalue.com



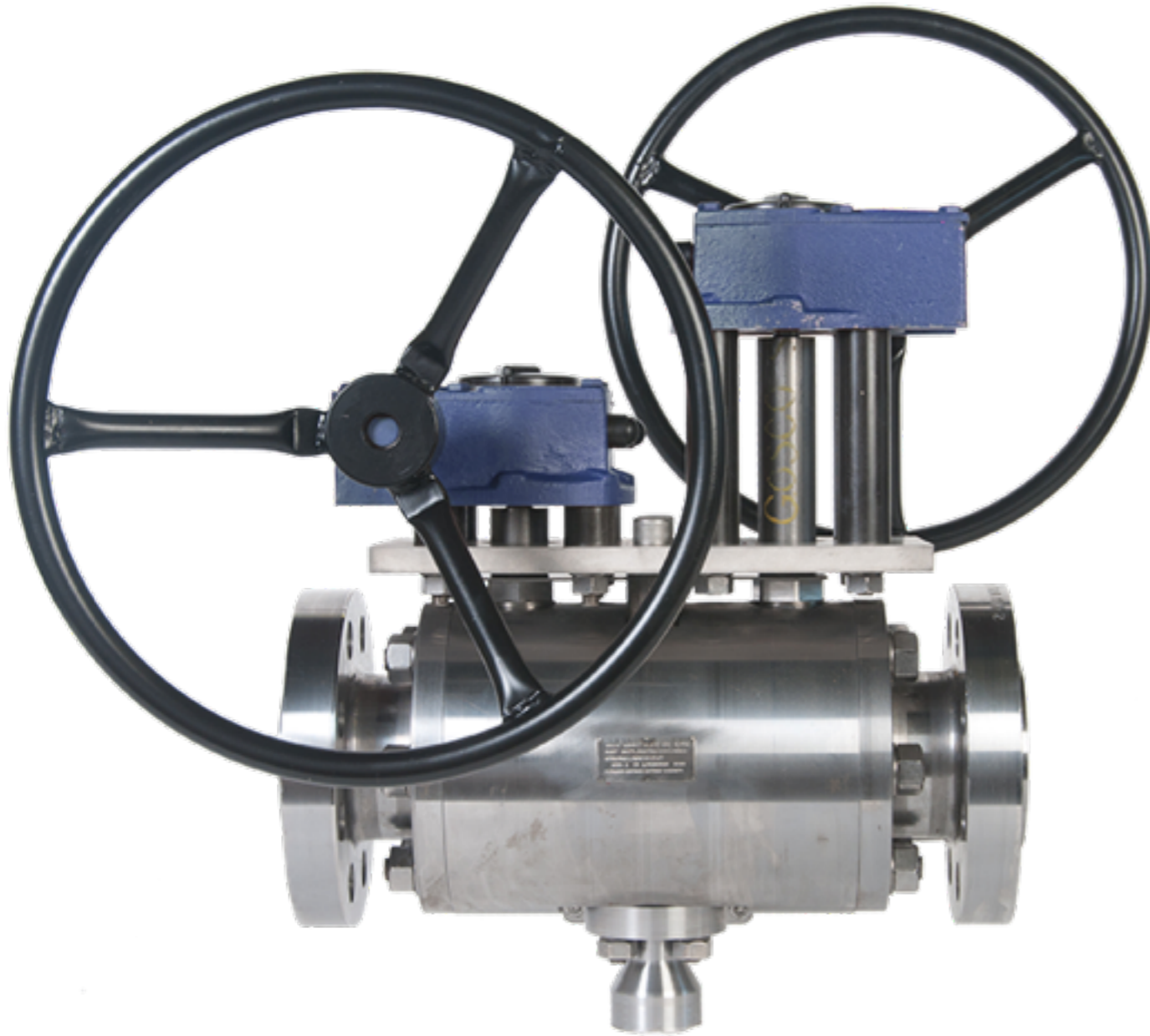


BLOCK & BLEED

S-CLASS
CUSTOM SOFT SEATED

(905)825-2627
goscovallves.com





BLOCK & BLEED

Live-loaded seats

S-CLASS
CUSTOM SOFT SEATED

(905)825-2627
goscovales.com





BLOCK & BLEED

Live-loaded seats

Truly bi-directional

S-CLASS
CUSTOM SOFT SEATED

(905)825-2627
goscovallves.com





BLOCK & BLEED

Live-loaded seats

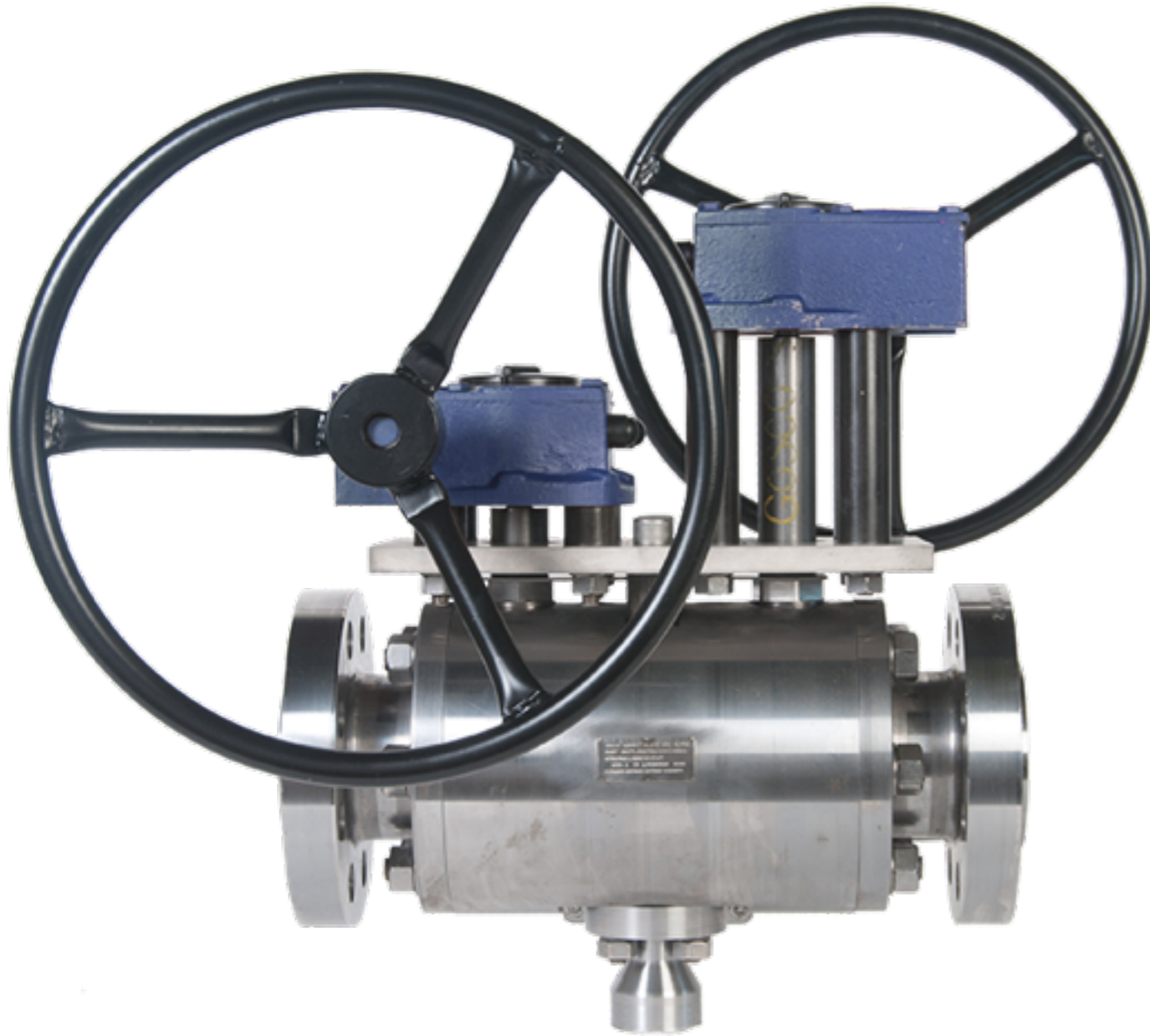
Truly bi-directional

Bubble-tight shut-off

S-CLASS
CUSTOM SOFT SEATED

(905)825-2627
goscovallves.com





BLOCK & BLEED

Live-loaded seats

Truly bi-directional

Bubble-tight shut-off

Dual packing

S-CLASS
CUSTOM SOFT SEATED

(905)825-2627
goscovales.com





BLOCK & BLEED

Live-loaded seats

Truly bi-directional

Bubble-tight shut-off

Dual packing

Scalloped seats

S-CLASS
CUSTOM SOFT SEATED

(905)825-2627
goscovalves.com





BLOCK & BLEED

Live-loaded seats

Truly bi-directional

Bubble-tight shut-off

Dual packing

Scalloped seats

Exotic alloy options

S-CLASS
CUSTOM SOFT SEATED

(905)825-2627
goscovalves.com

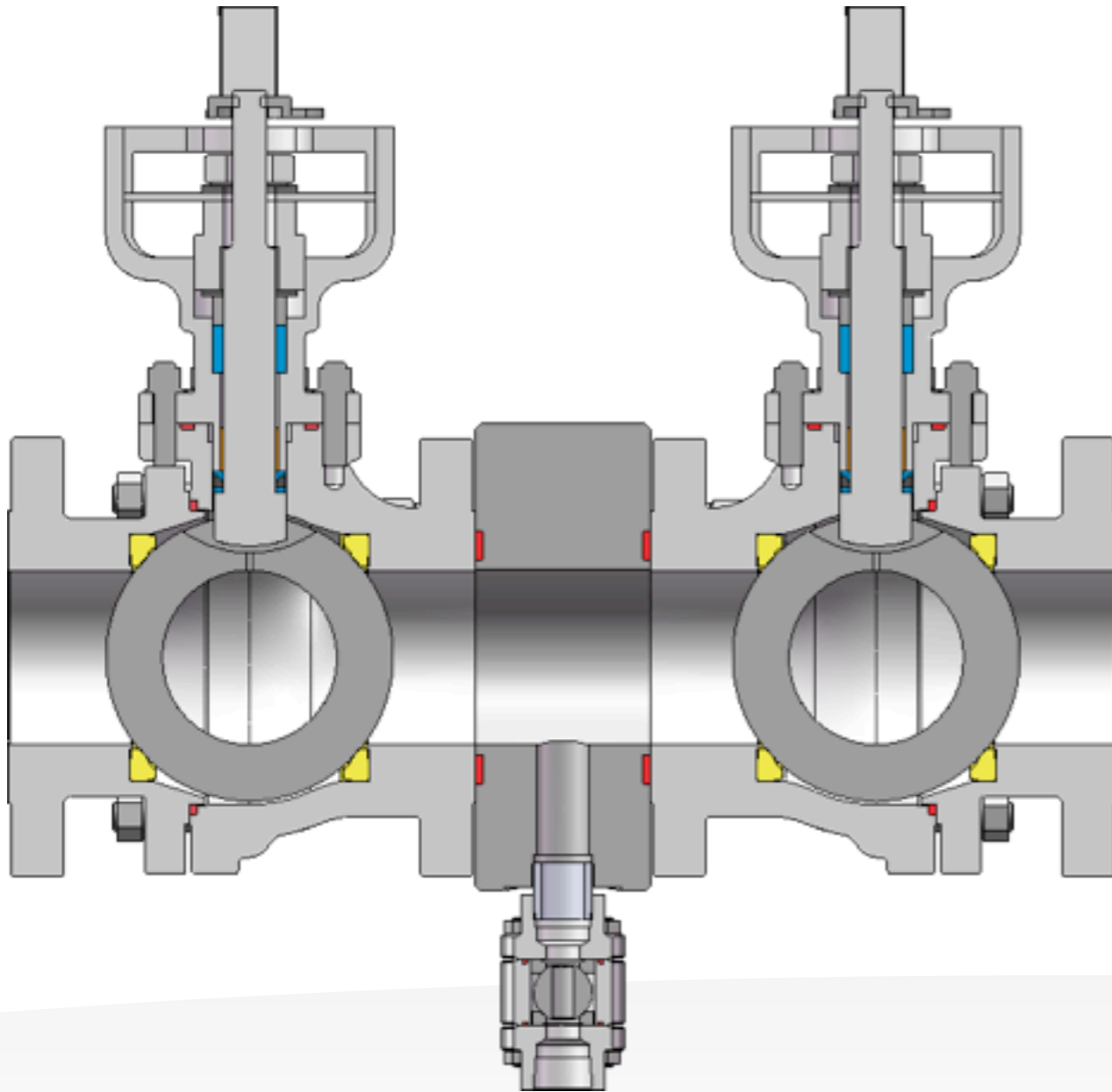


S-CLASS
CUSTOM SOFT SEATED

(905)825-2627
goscovallves.com



DOUBLE BLOCK & BLEED



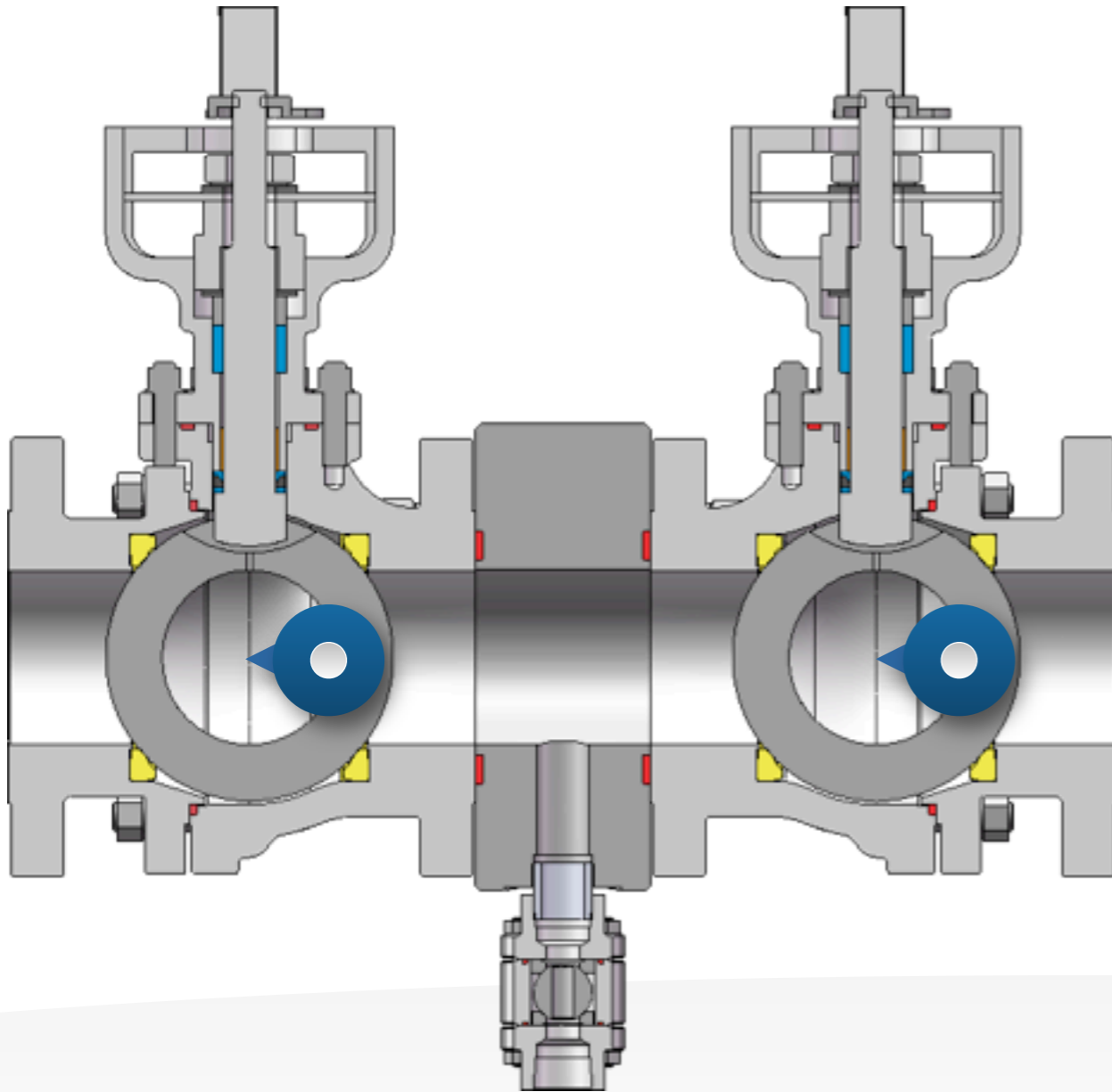
S-CLASS
CUSTOM SOFT SEATED

(905)825-2627
goscovales.com



DOUBLE BLOCK & BLEED

Block valves (isolate media)



S-CLASS
CUSTOM SOFT SEATED

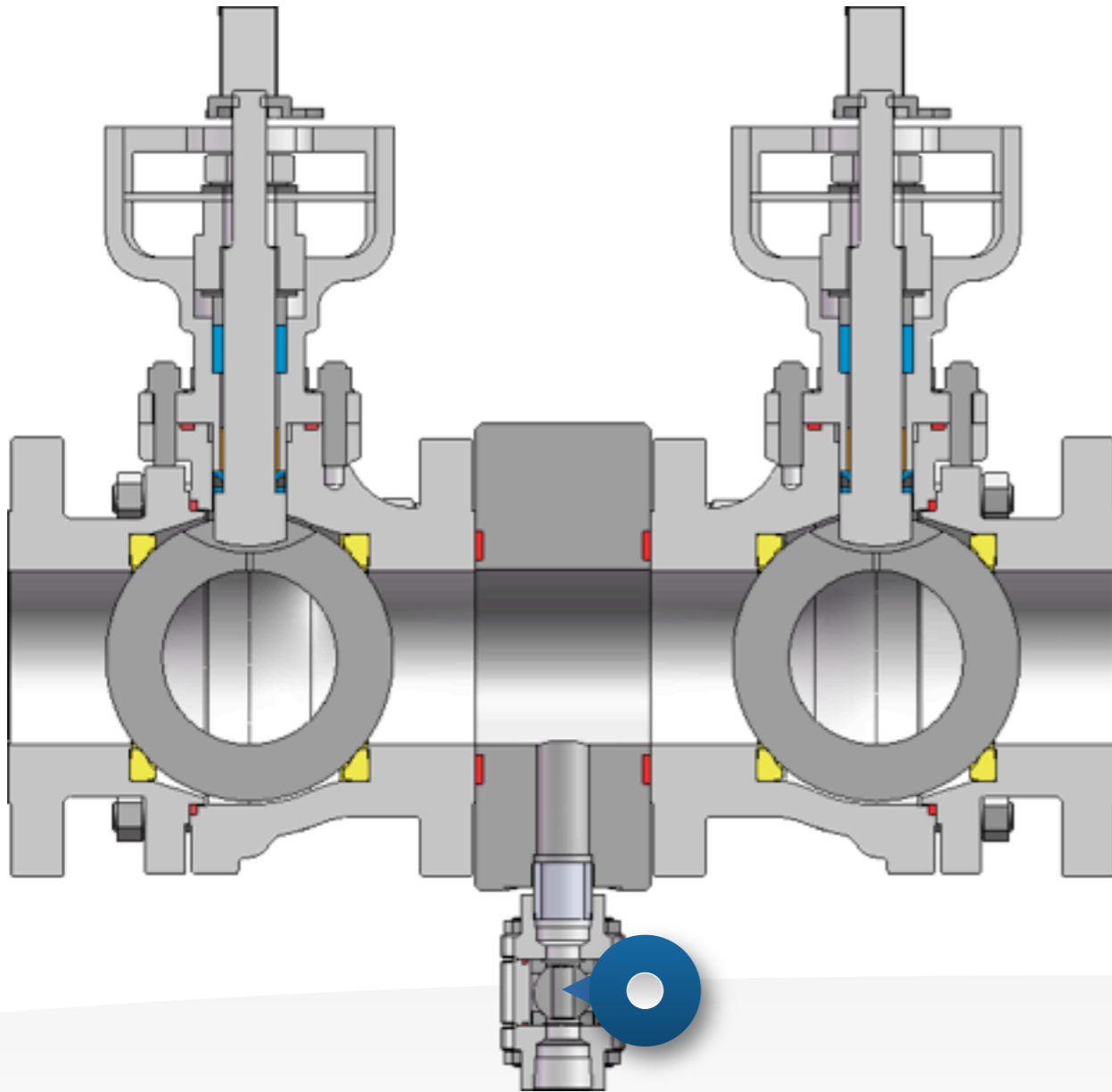
(905)825-2627
goscovallves.com



DOUBLE BLOCK & BLEED

Block valves (isolate media)

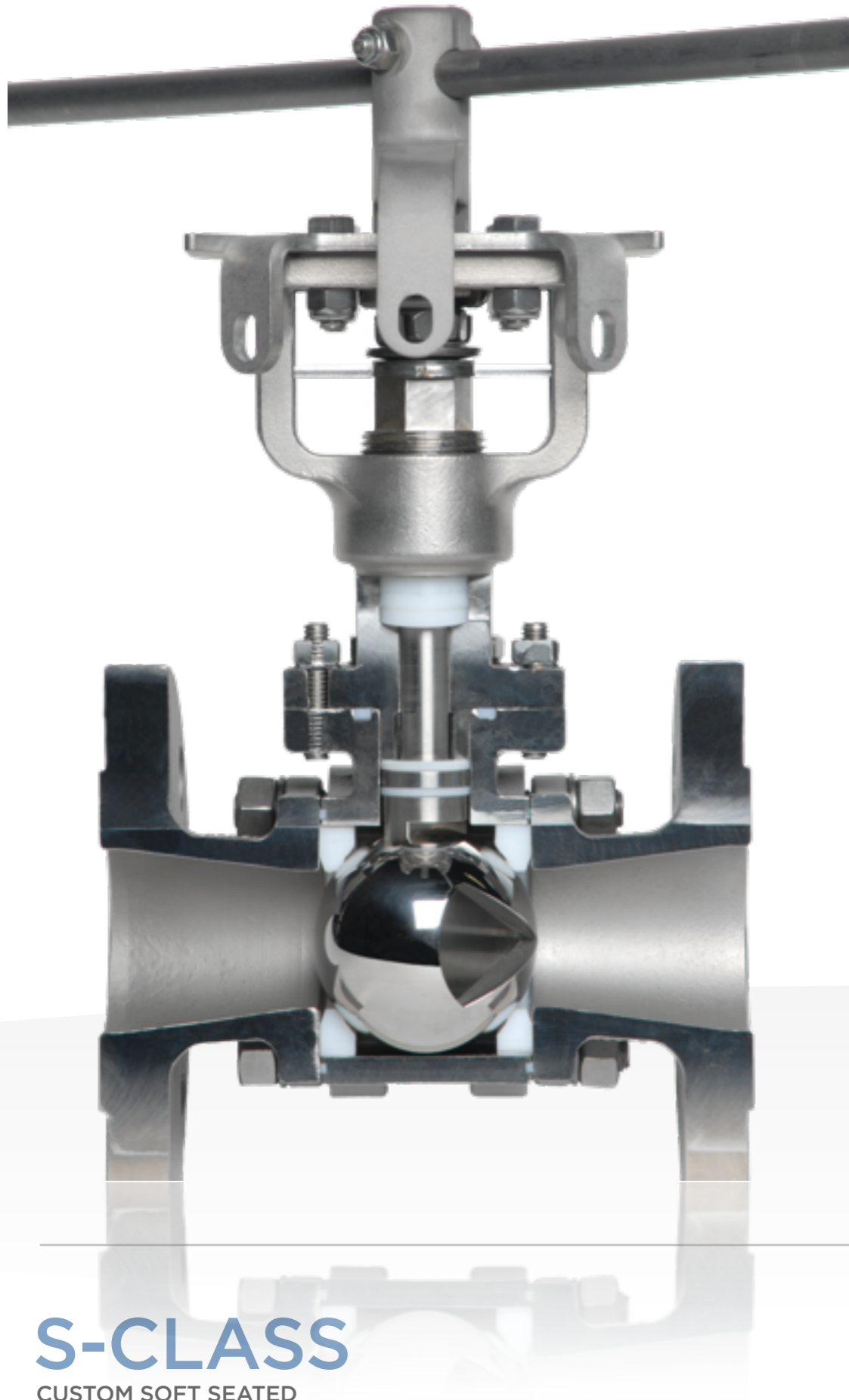
Bleed valve (proves integrity)



S-CLASS
CUSTOM SOFT SEATED

(905)825-2627
goscovales.com





S-CLASS
CUSTOM SOFT SEATED

(905)825-2627
goscovallves.com

KEYSTONE



STANDARD FEATURES:

S-CLASS
CUSTOM SOFT SEATED

(905)825-2627
goscovallves.com

KEYSTONE



STANDARD FEATURES:

Clearview Mounting Pad

S-CLASS
CUSTOM SOFT SEATED

(905)825-2627
goscovales.com

KEYSTONE



STANDARD FEATURES:

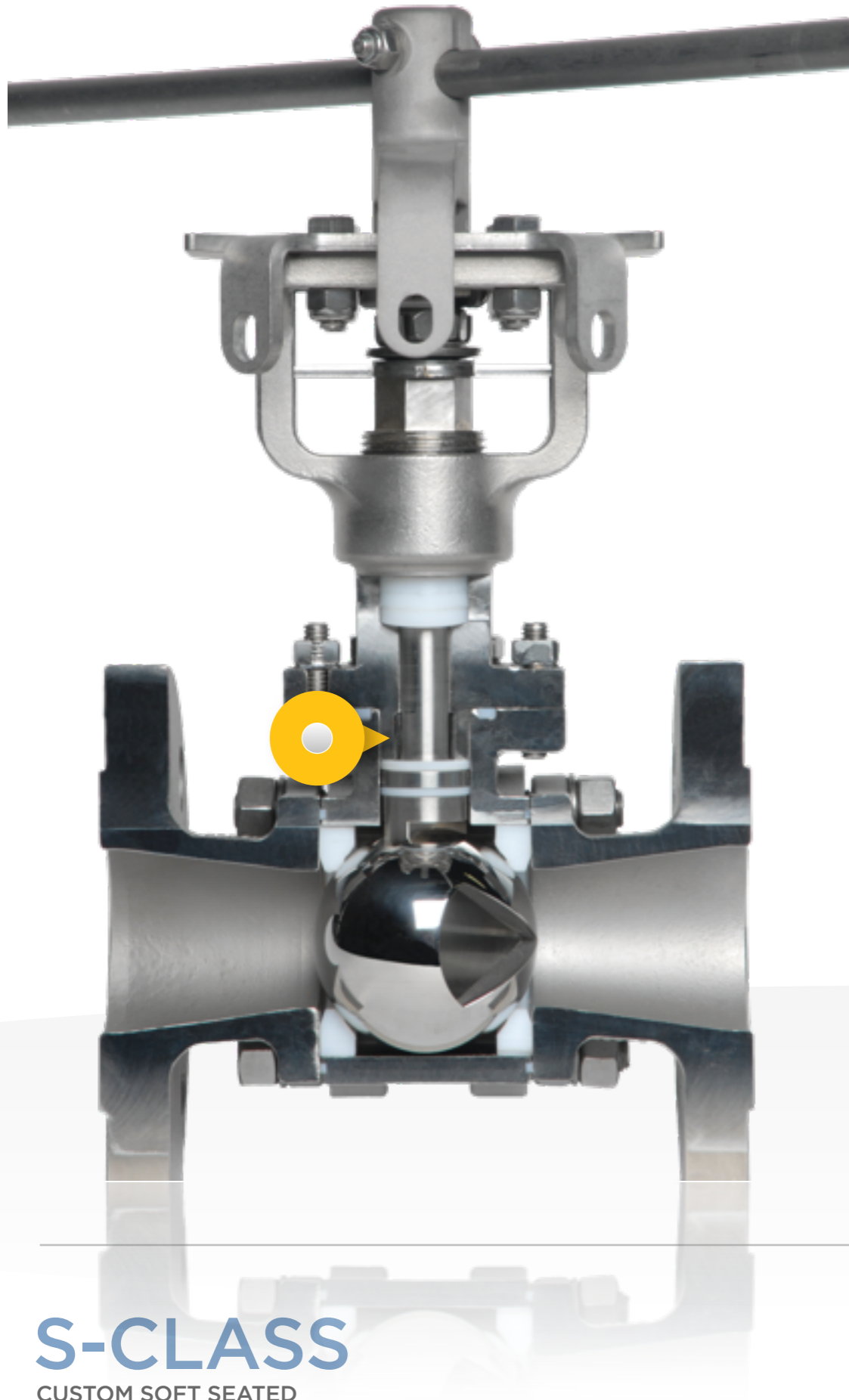
Clearview Mounting Pad

Upper Stem Guide

S-CLASS
CUSTOM SOFT SEATED

(905)825-2627
goscovales.com

KEYSTONE



STANDARD FEATURES:

Clearview Mounting Pad

Upper Stem Guide

Lower Stem Guide

S-CLASS
CUSTOM SOFT SEATED

(905)825-2627
goscovales.com

KEYSTONE



STANDARD FEATURES:

Clearview Mounting Pad

Upper Stem Guide

Lower Stem Guide

Extended Bonnet

S-CLASS
CUSTOM SOFT SEATED

(905)825-2627
goscovales.com

KEYSTONE



STANDARD FEATURES:

Clearview Mounting Pad

Upper Stem Guide

Lower Stem Guide

Extended Bonnet

Independently Live Loaded

Upper Packing

S-CLASS
CUSTOM SOFT SEATED

(905)825-2627
goscovales.com

KEYSTONE



STANDARD FEATURES:

Clearview Mounting Pad

Upper Stem Guide

Lower Stem Guide

Extended Bonnet

Independently Live Loaded

Upper Packing

Independently Live Loaded

Lower Packing

S-CLASS
CUSTOM SOFT SEATED

(905)825-2627
goscovales.com

KEYSTONE



STANDARD FEATURES:

Clearview Mounting Pad

Upper Stem Guide

Lower Stem Guide

Extended Bonnet

Independently Live Loaded

Upper Packing

Independently Live Loaded

Lower Packing

Teflon Seat Material

S-CLASS
CUSTOM SOFT SEATED

(905)825-2627
goscovales.com

KEYSTONE



STANDARD FEATURES:

Clearview Mounting Pad

Upper Stem Guide

Lower Stem Guide

Extended Bonnet

Independently Live Loaded

Upper Packing

Independently Live Loaded

Lower Packing

Teflon Seat Material

Stainless Steel Ball

S-CLASS
CUSTOM SOFT SEATED

(905)825-2627
goscovales.com

KEYSTONE



STANDARD FEATURES:

Clearview Mounting Pad

Upper Stem Guide

Lower Stem Guide

Extended Bonnet

Independently Live Loaded

Upper Packing

Independently Live Loaded

Lower Packing

Teflon Seat Material

Stainless Steel Ball

Live Loaded Body Studs

S-CLASS
CUSTOM SOFT SEATED

(905)825-2627
goscovales.com

KEYSTONE



STANDARD FEATURES:

Clearview Mounting Pad

Upper Stem Guide

Lower Stem Guide

Extended Bonnet

Independently Live Loaded

Upper Packing

Independently Live Loaded

Lower Packing

Teflon Seat Material

Stainless Steel Ball

Live Loaded Body Studs

Encapsulated End Cap Seals

S-CLASS
CUSTOM SOFT SEATED

(905)825-2627
goscovales.com

KEYSTONE



STANDARD FEATURES:

- Clearview Mounting Pad
- Upper Stem Guide
- Lower Stem Guide
- Extended Bonnet
- Independently Live Loaded Upper Packing
- Independently Live Loaded Lower Packing
- Teflon Seat Material
- Stainless Steel Ball
- Live Loaded Body Studs
- Encapsulated End Cap Seals
- End Connections



STANDARD FEATURES:

Clearview Mounting Pad

Upper Stem Guide

Lower Stem Guide

Extended Bonnet

Independently Live Loaded

Upper Packing

Independently Live Loaded

Lower Packing

Teflon Seat Material

Stainless Steel Ball

Live Loaded Body Studs

Encapsulated End Cap Seals

End Connections

S-CLASS
CUSTOM SOFT SEATED

(905)825-2627
goscovales.com

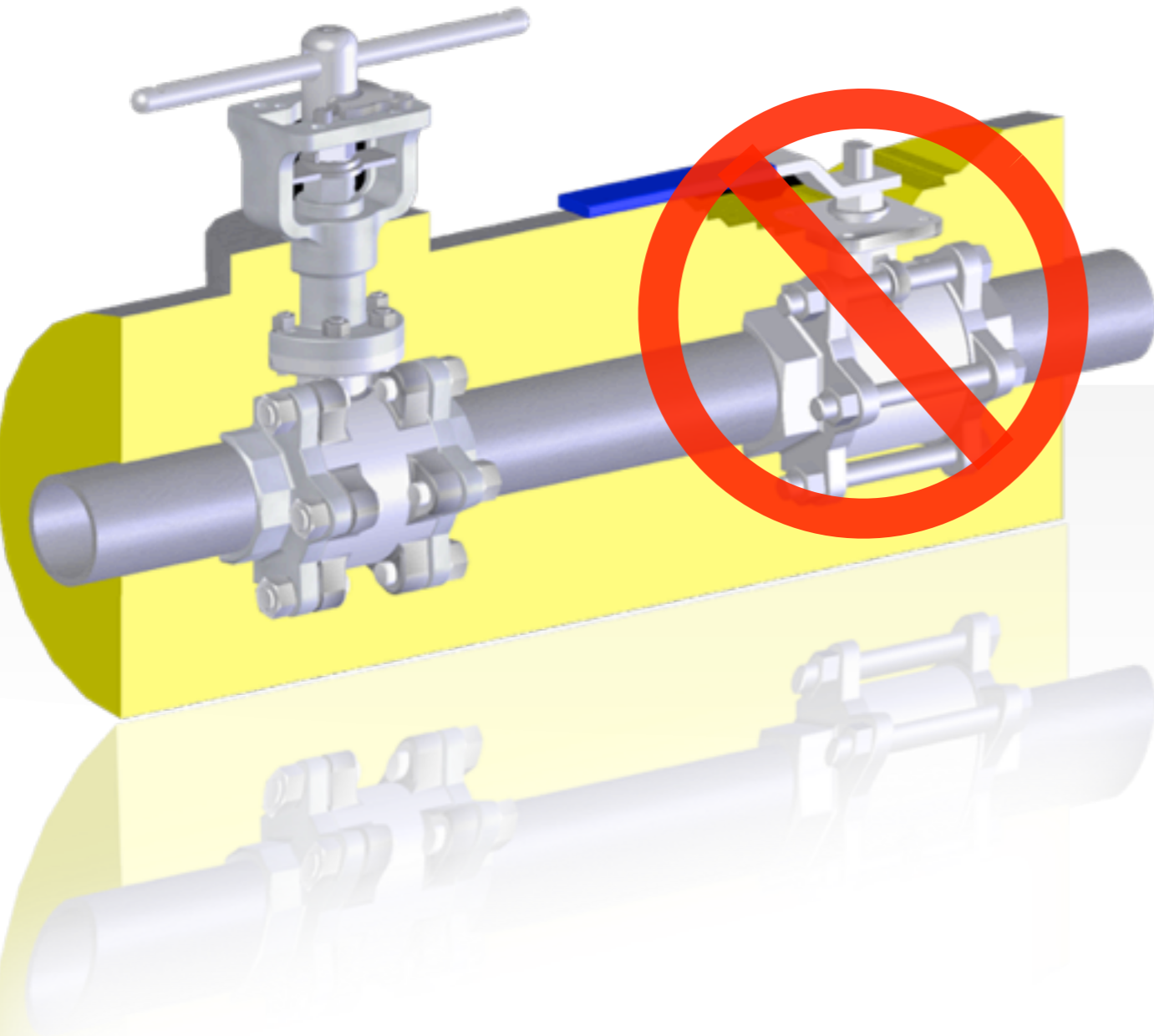
KEYSTONE

S-CLASS
CUSTOM SOFT SEATED

(905)825-2627
goscovallves.com



EXTENDED BONNET



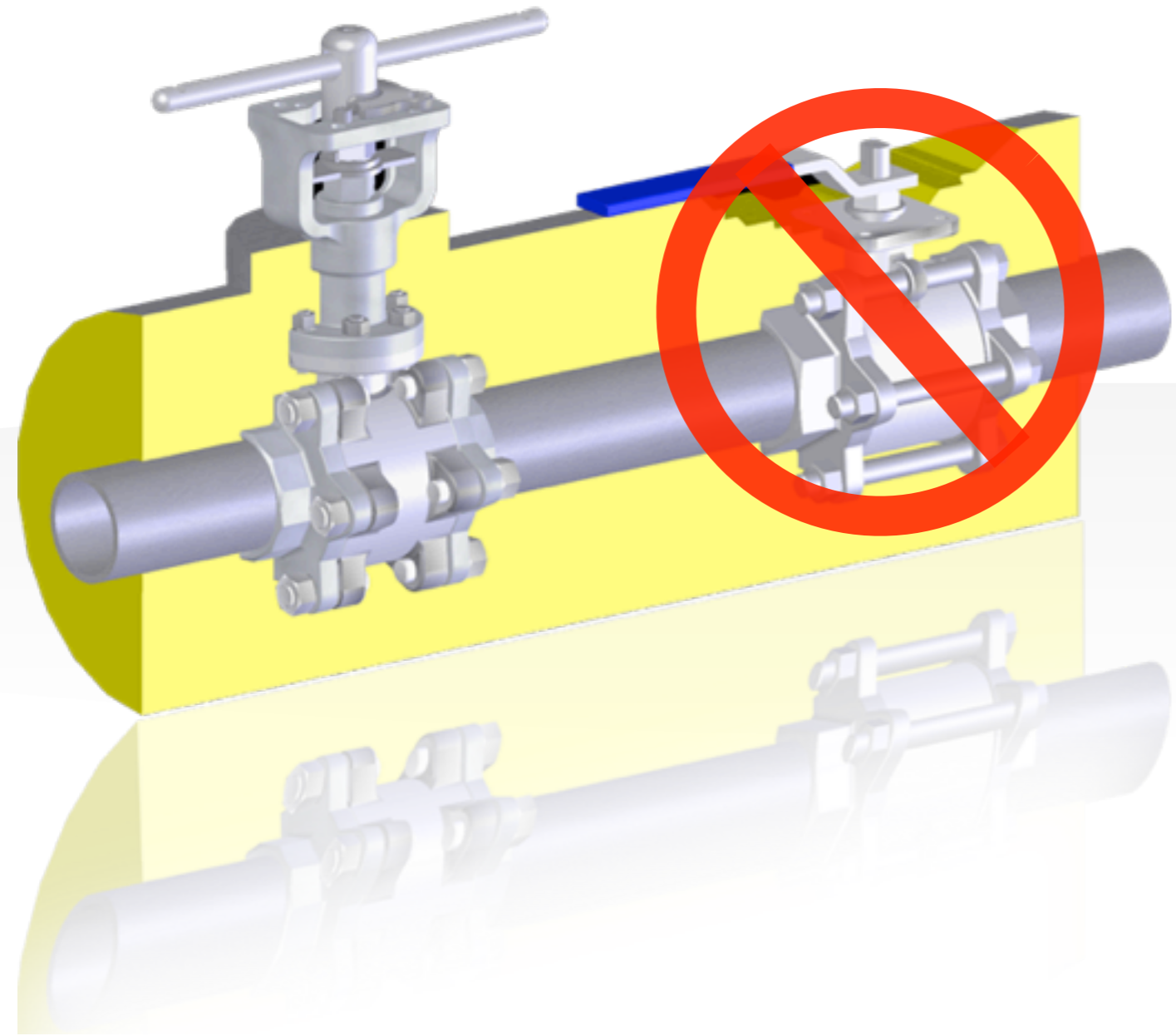
S-CLASS
CUSTOM SOFT SEATED

(905)825-2627
goscovallves.com



EXTENDED BONNET

Handle / actuator is outside the insulation



S-CLASS
CUSTOM SOFT SEATED

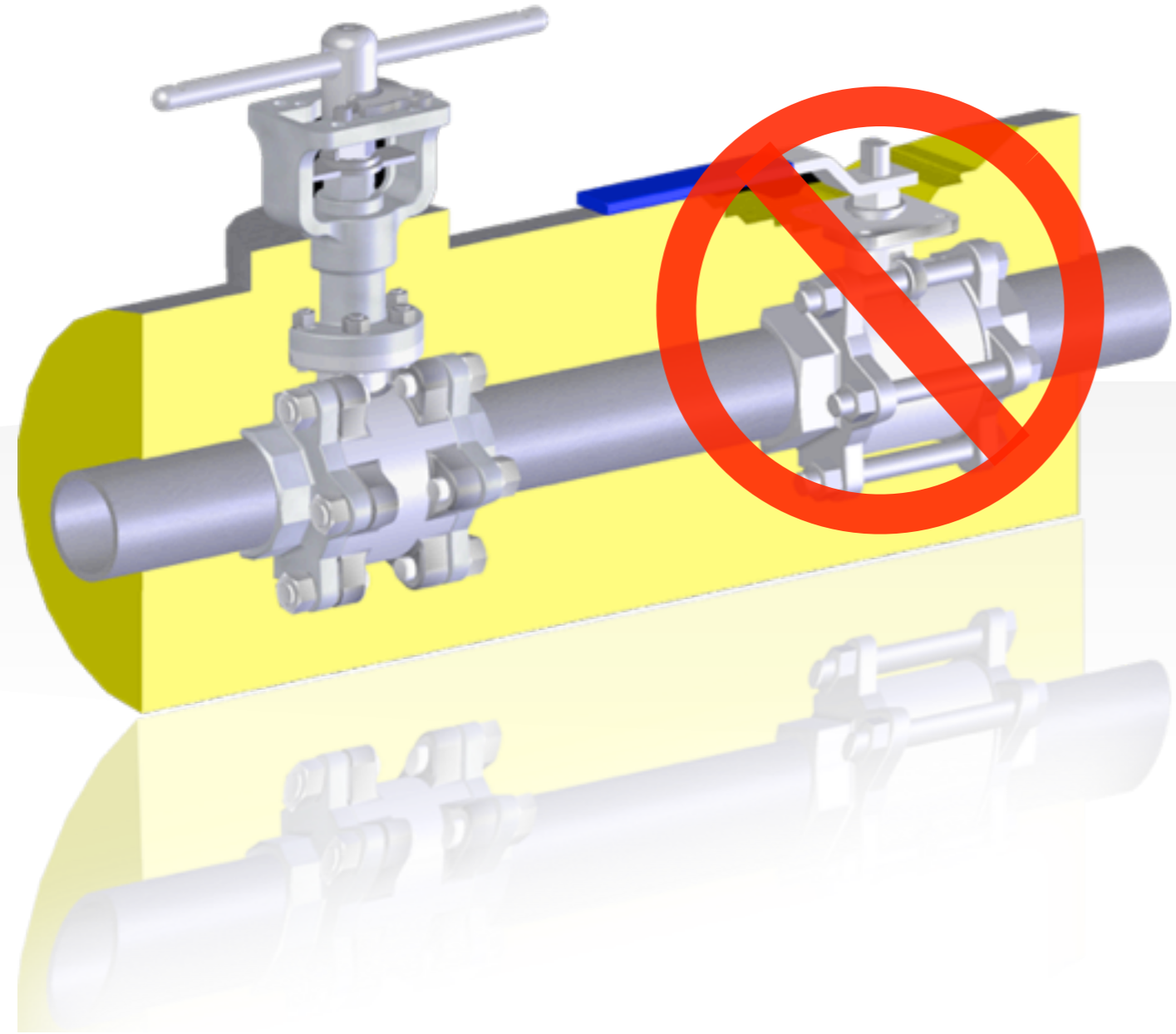
(905)825-2627
goscovallves.com



EXTENDED BONNET

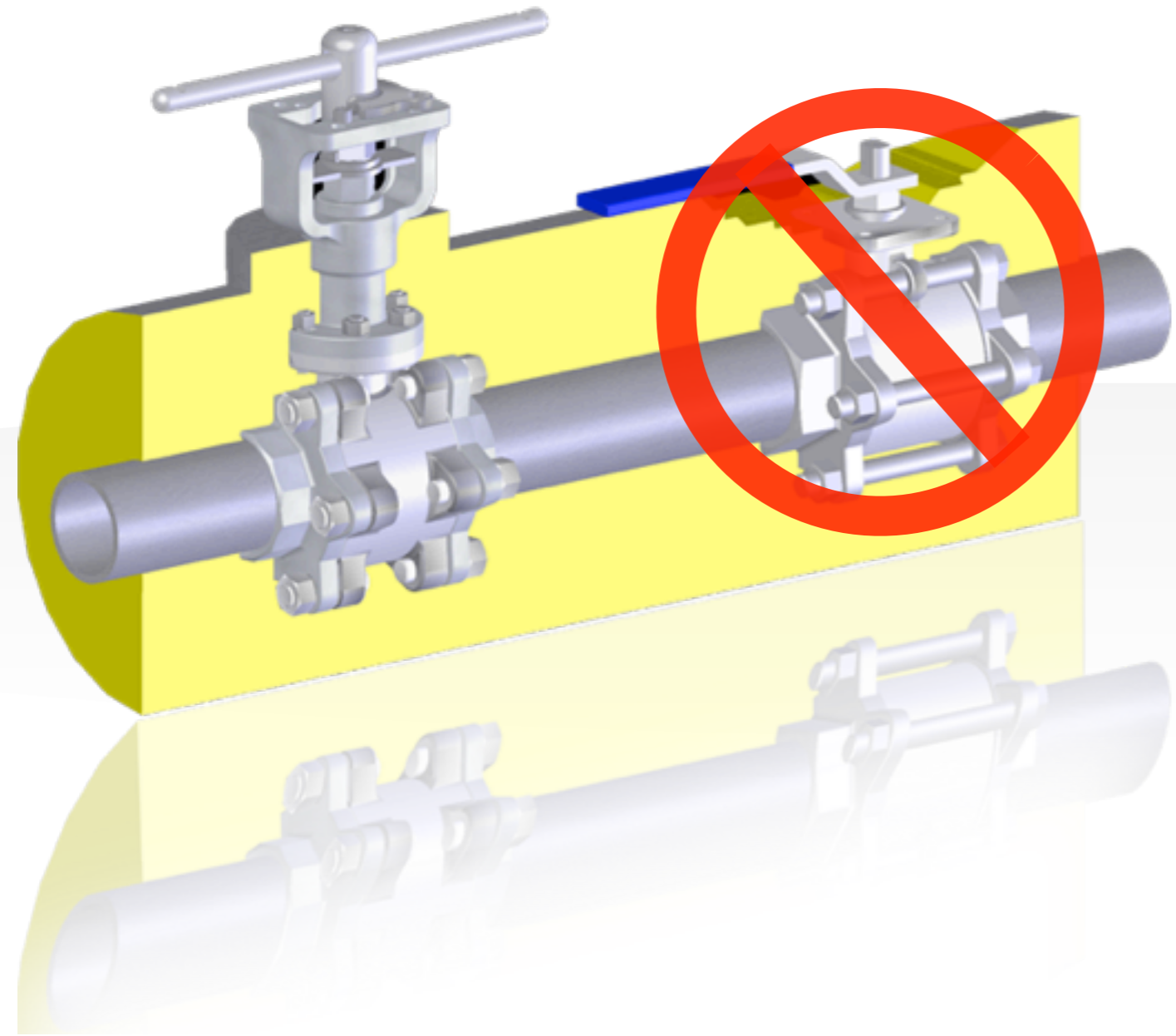
Handle / actuator is outside the insulation

Packing adjustments are outside the insulation



EXTENDED BONNET

Handle / actuator is outside the insulation
Packing adjustments are outside the insulation
Protects the operator



S-CLASS
CUSTOM SOFT SEATED

(905)825-2627
goscovallves.com

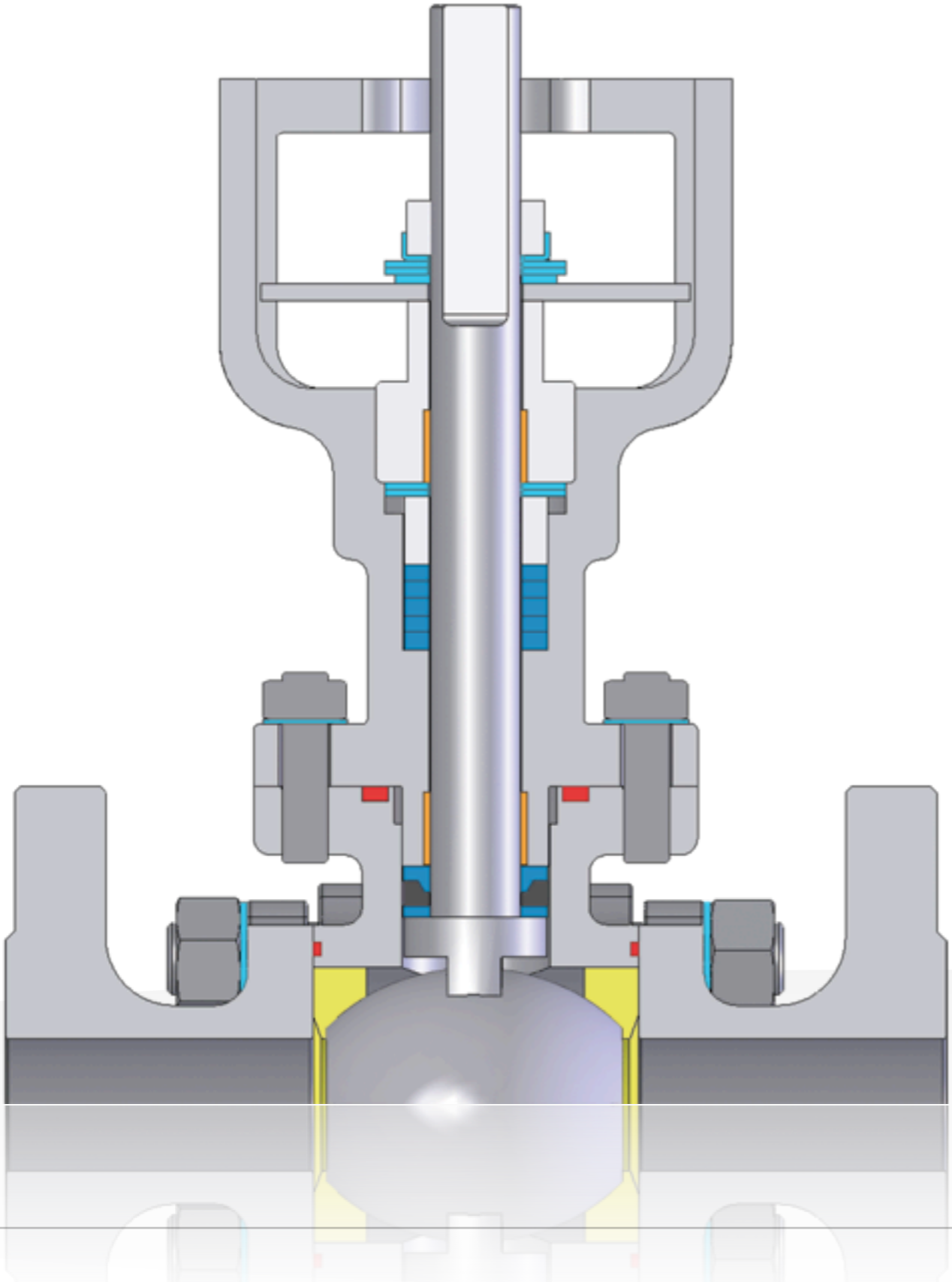


S-CLASS
CUSTOM SOFT SEATED

(905)825-2627
goscovallves.com



STEM SEALING



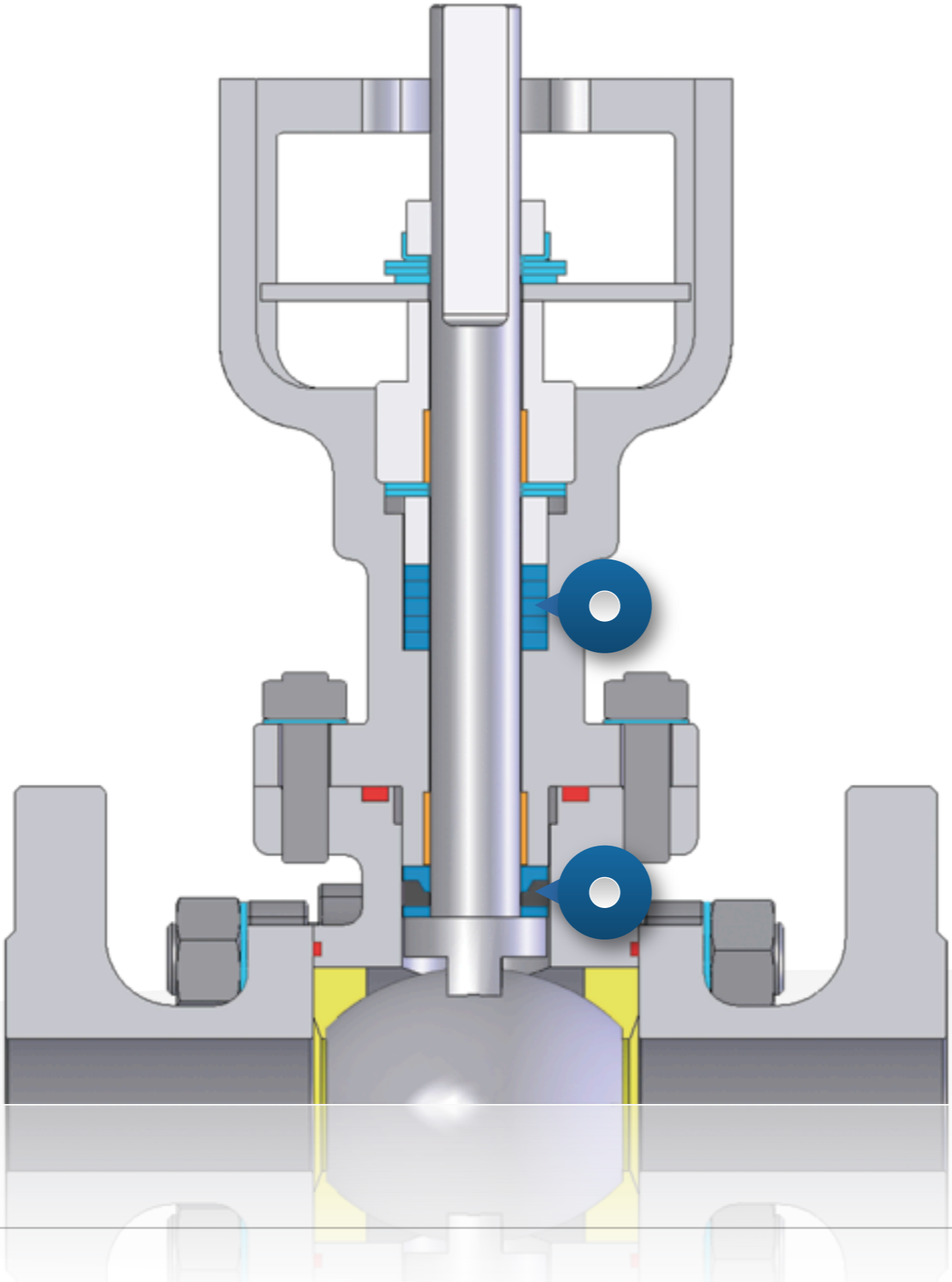
S-CLASS
CUSTOM SOFT SEATED

(905)825-2627
goscovallves.com



STEM SEALING

Dual live loaded packing sets



S-CLASS
CUSTOM SOFT SEATED

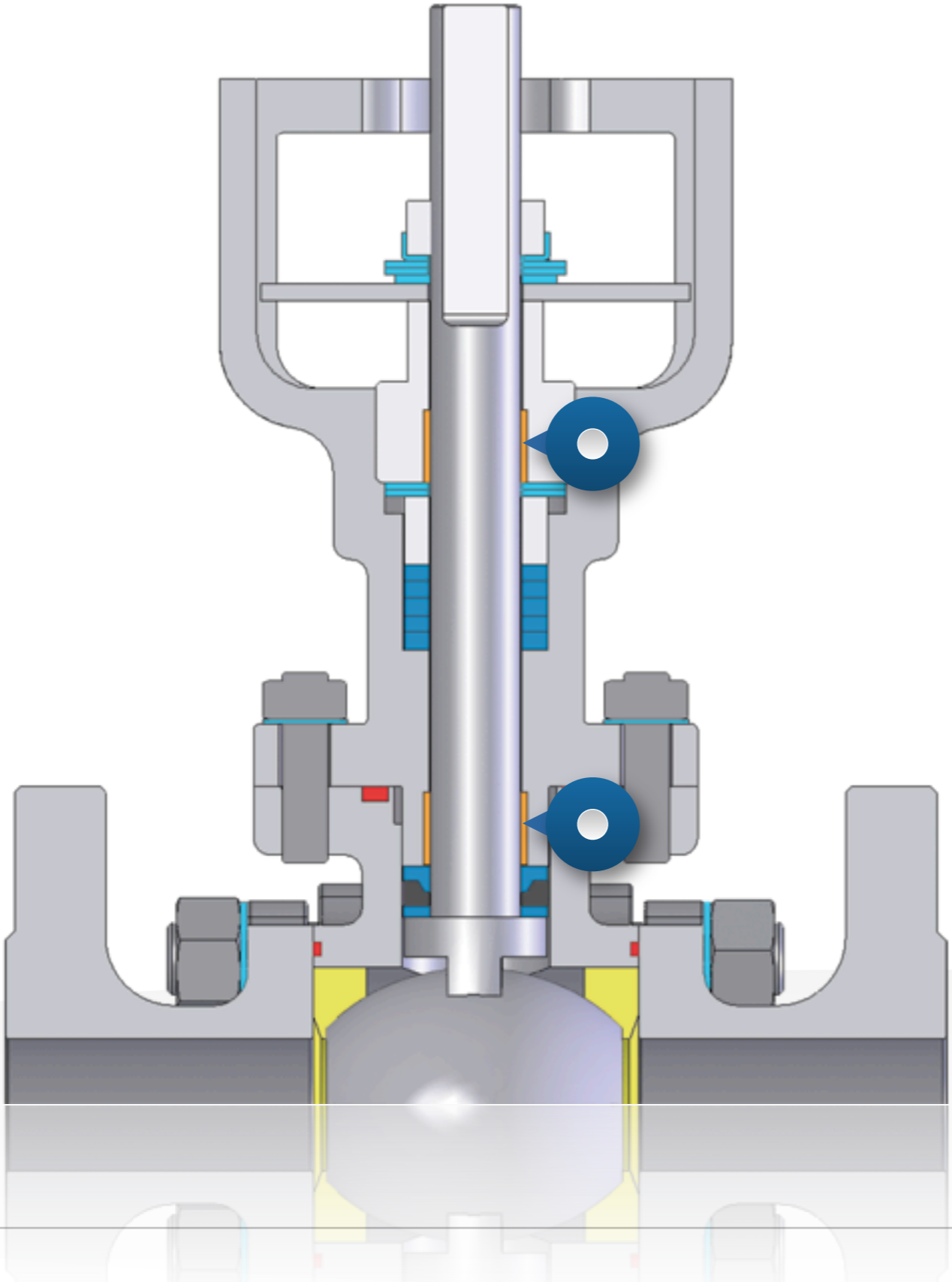
(905)825-2627
goscovallves.com



STEM SEALING

Dual live loaded packing sets

Upper and lower stem guides



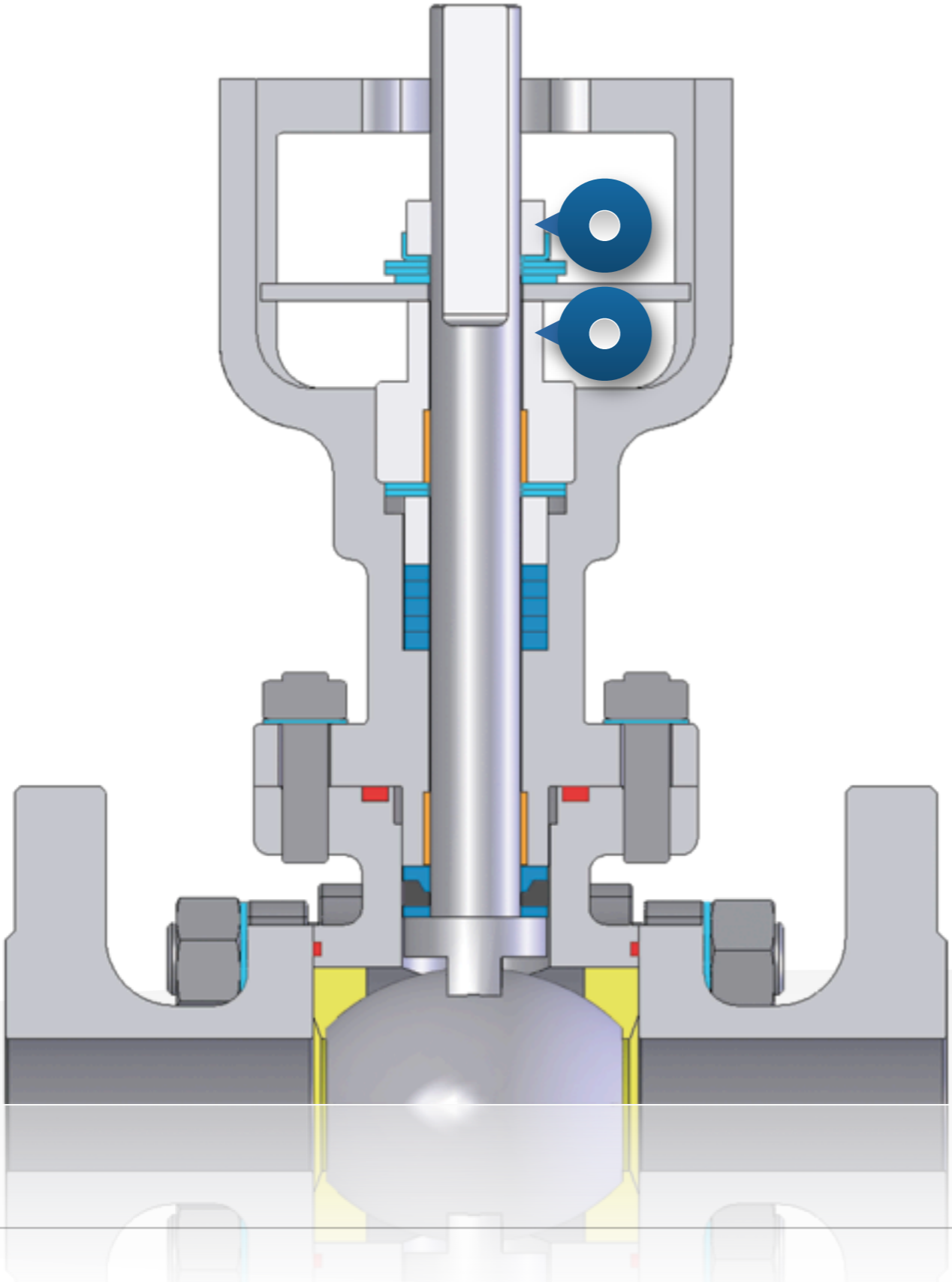
S-CLASS
CUSTOM SOFT SEATED

(905)825-2627
goscovallves.com



STEM SEALING

Dual live loaded packing sets
Upper and lower stem guides
Independent packing adjustment



S-CLASS
CUSTOM SOFT SEATED

(905)825-2627
goscovallves.com

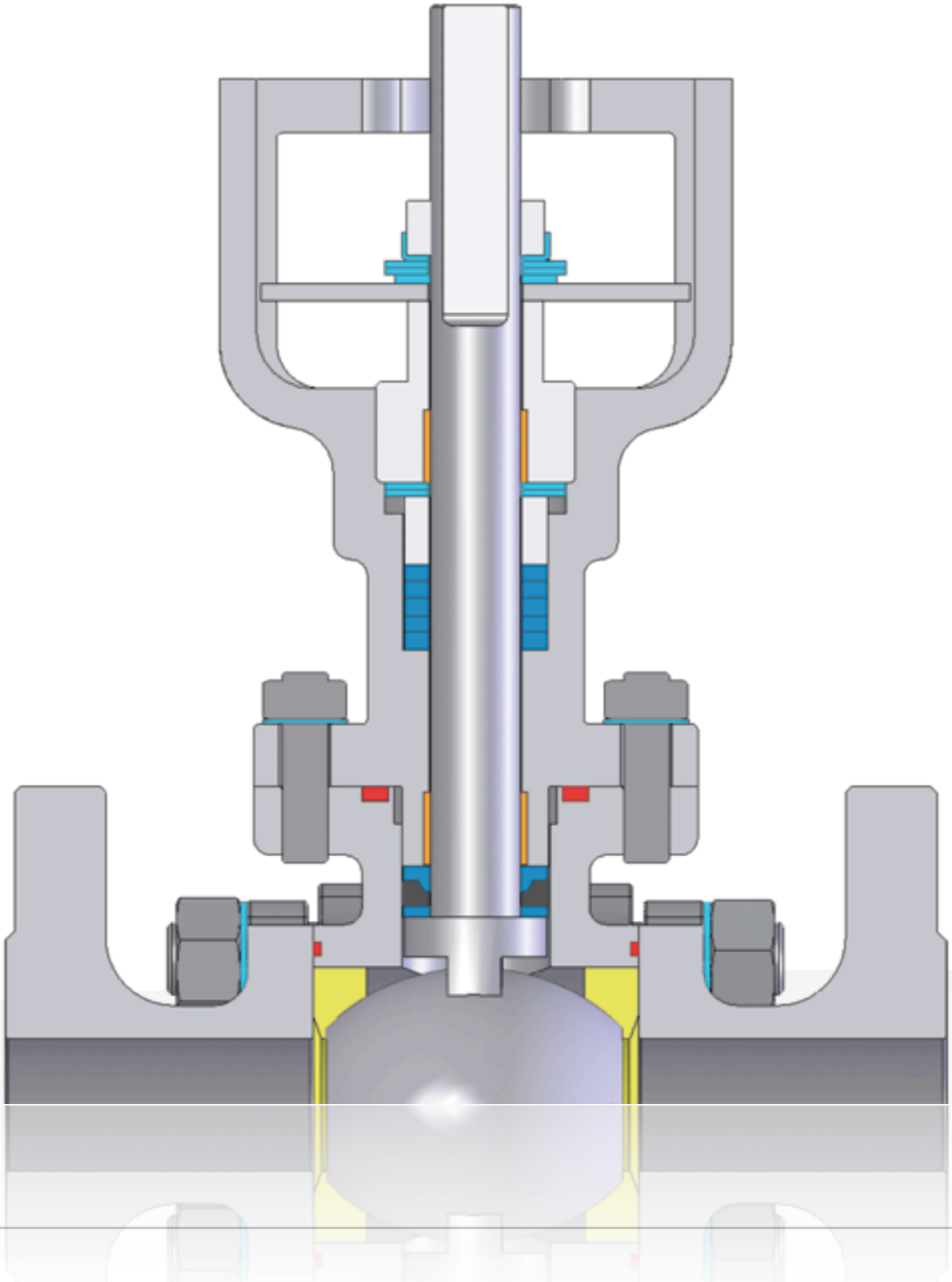


S-CLASS
CUSTOM SOFT SEATED

(905)825-2627
goscovallves.com



SEALMASTER

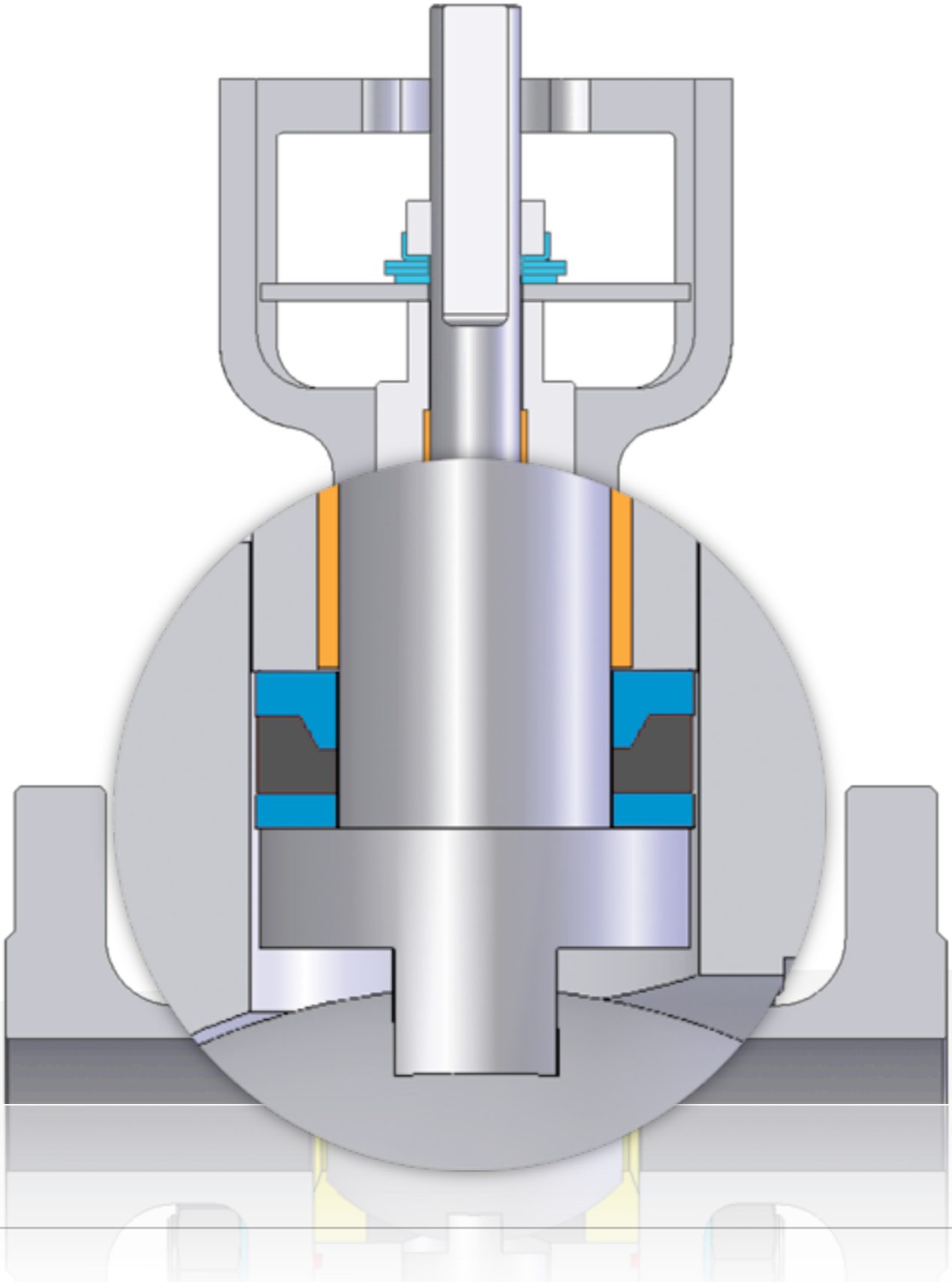


S-CLASS
CUSTOM SOFT SEATED

(905)825-2627
goscovallves.com



SEALMASTER

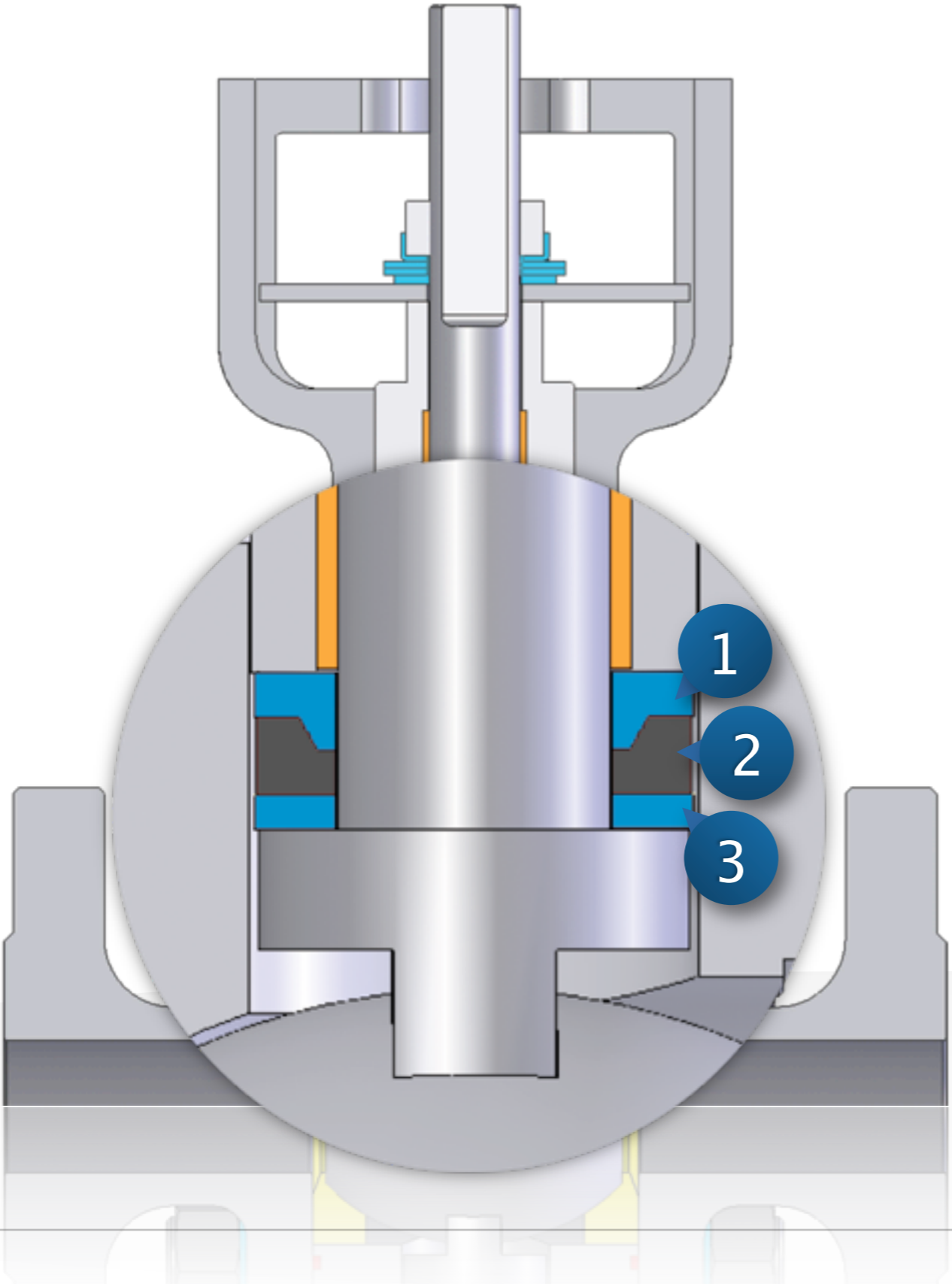


S-CLASS
CUSTOM SOFT SEATED

(905)825-2627
goscovallves.com



SEALMASTER



- 1. Upper Stem Seal
- 2. Compression Ring
- 3. Thrust Seal

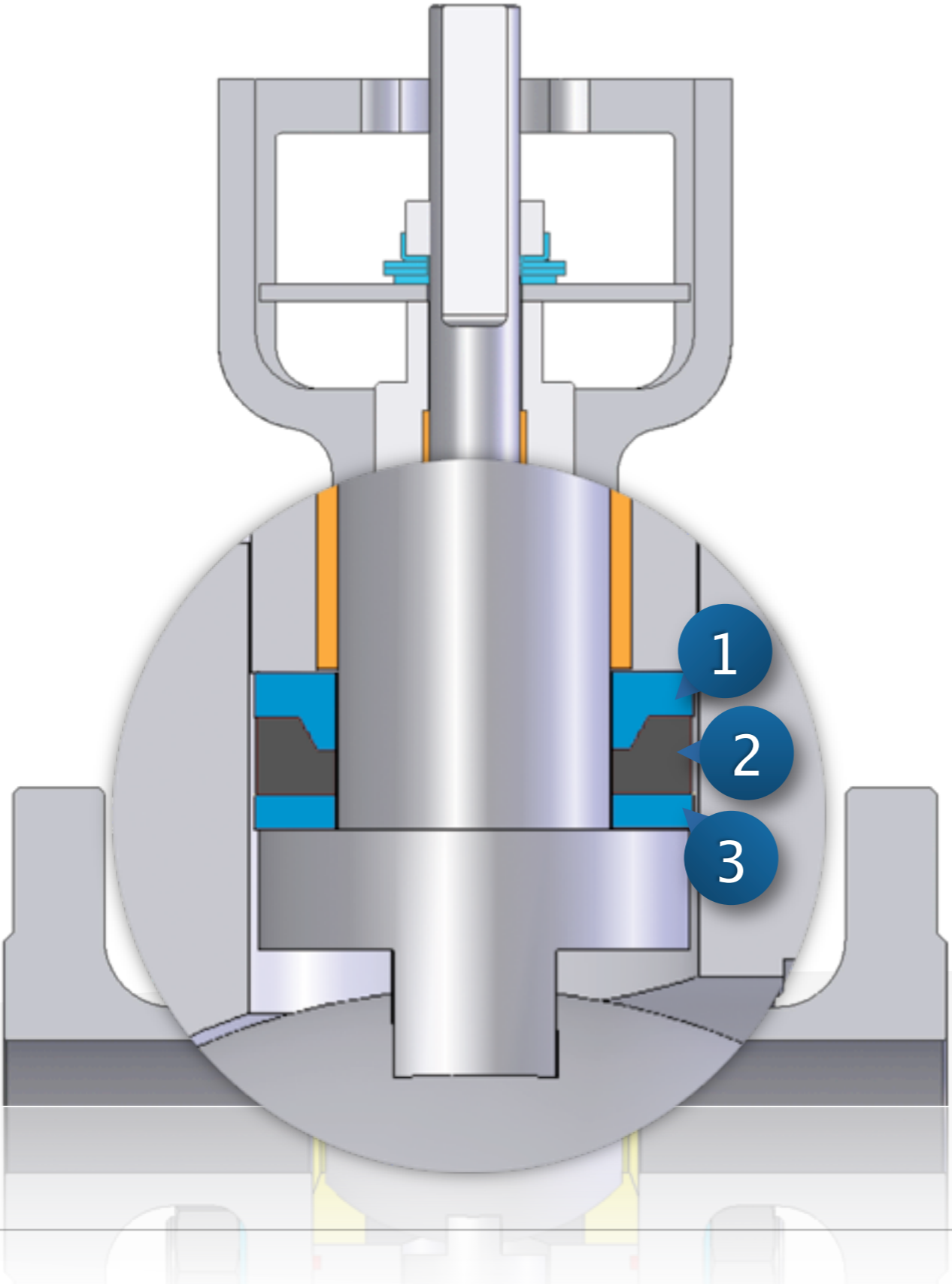
S-CLASS
CUSTOM SOFT SEATED

(905)825-2627
goscovallves.com



SEALMASTER

Patented design



- 1. *Upper Stem Seal*
- 2. *Compression Ring*
- 3. *Thrust Seal*

S-CLASS
CUSTOM SOFT SEATED

(905)825-2627
goscovallves.com



SEALMASTER

Patented design

TÜV approved

1. Upper Stem Seal

2. Compression Ring

3. Thrust Seal

S-CLASS
CUSTOM SOFT SEATED

(905)825-2627
goscovallves.com



SEALMASTER

Patented design

TÜV approved

1,000,000 cycle guarantee

1. Upper Stem Seal

2. Compression Ring

3. Thrust Seal

S-CLASS
CUSTOM SOFT SEATED

(905)825-2627
goscovallves.com



S-CLASS
CUSTOM SOFT SEATED

(905)825-2627
goscovallves.com





FUGITIVE EMISSIONS PORT

S-CLASS
CUSTOM SOFT SEATED

(905)825-2627
goscovallves.com





FUGITIVE EMISSIONS PORT

Located between upper/lower packing

S-CLASS
CUSTOM SOFT SEATED

(905)825-2627
goscovalue.com





FUGITIVE EMISSIONS PORT

Located between upper/lower packing
Emission level monitoring



FUGITIVE EMISSIONS PORT

Located between upper/lower packing

Emission level monitoring

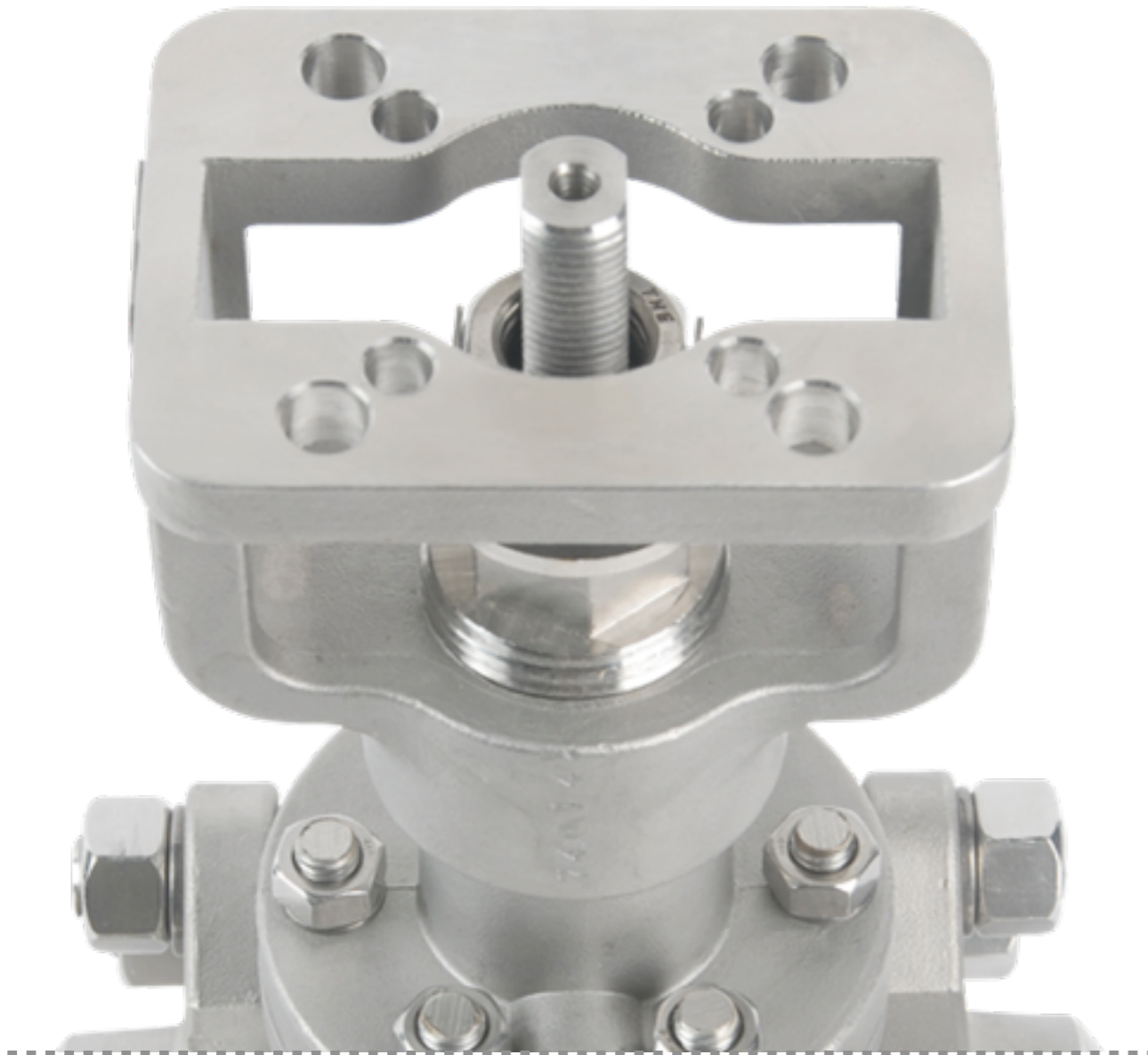
Purgeable

S-CLASS
CUSTOM SOFT SEATED

(905)825-2627
goscovallves.com



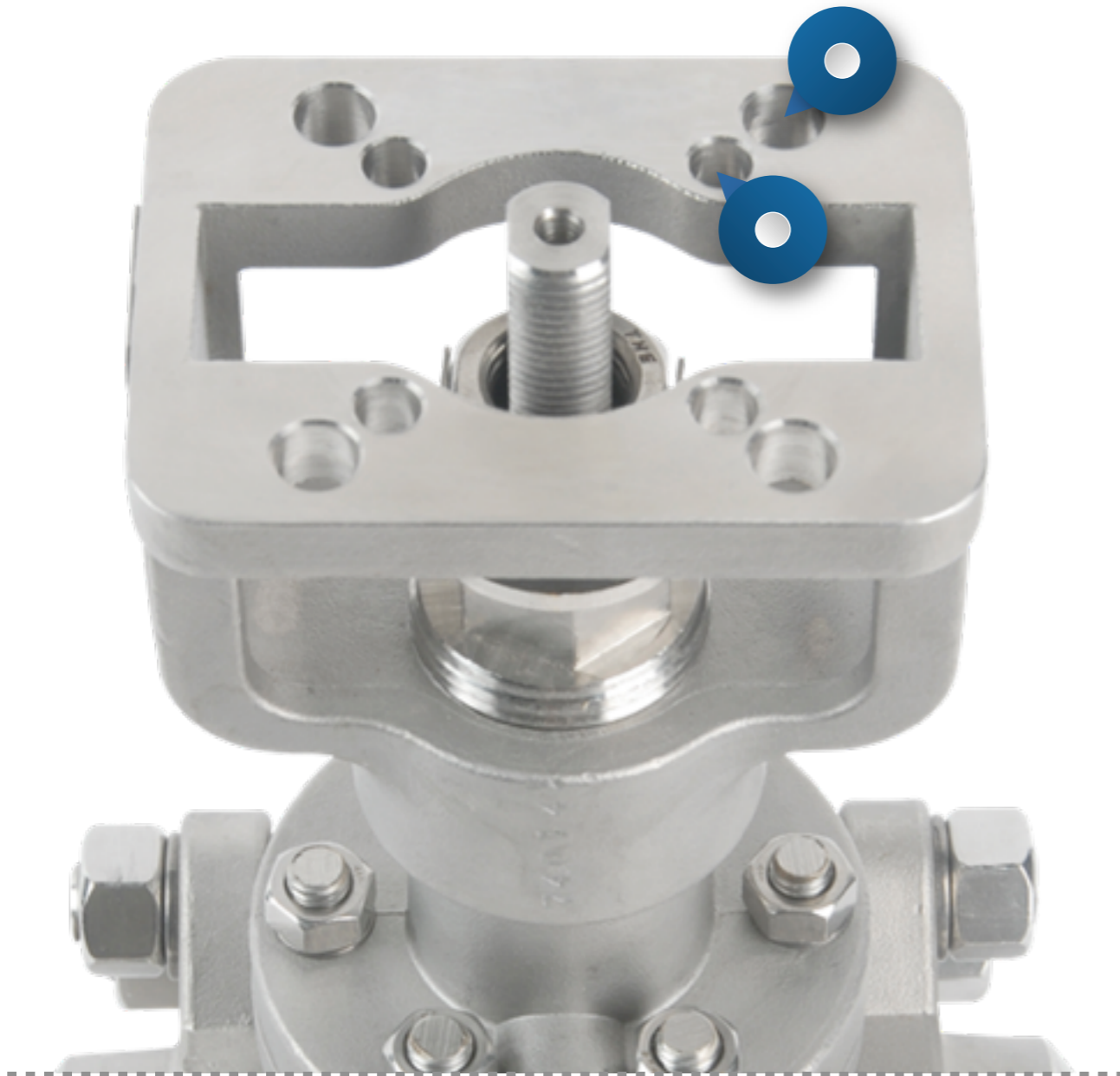
CLEARVIEW MOUNTING



S-CLASS
CUSTOM SOFT SEATED

(905)825-2627
goscovallves.com





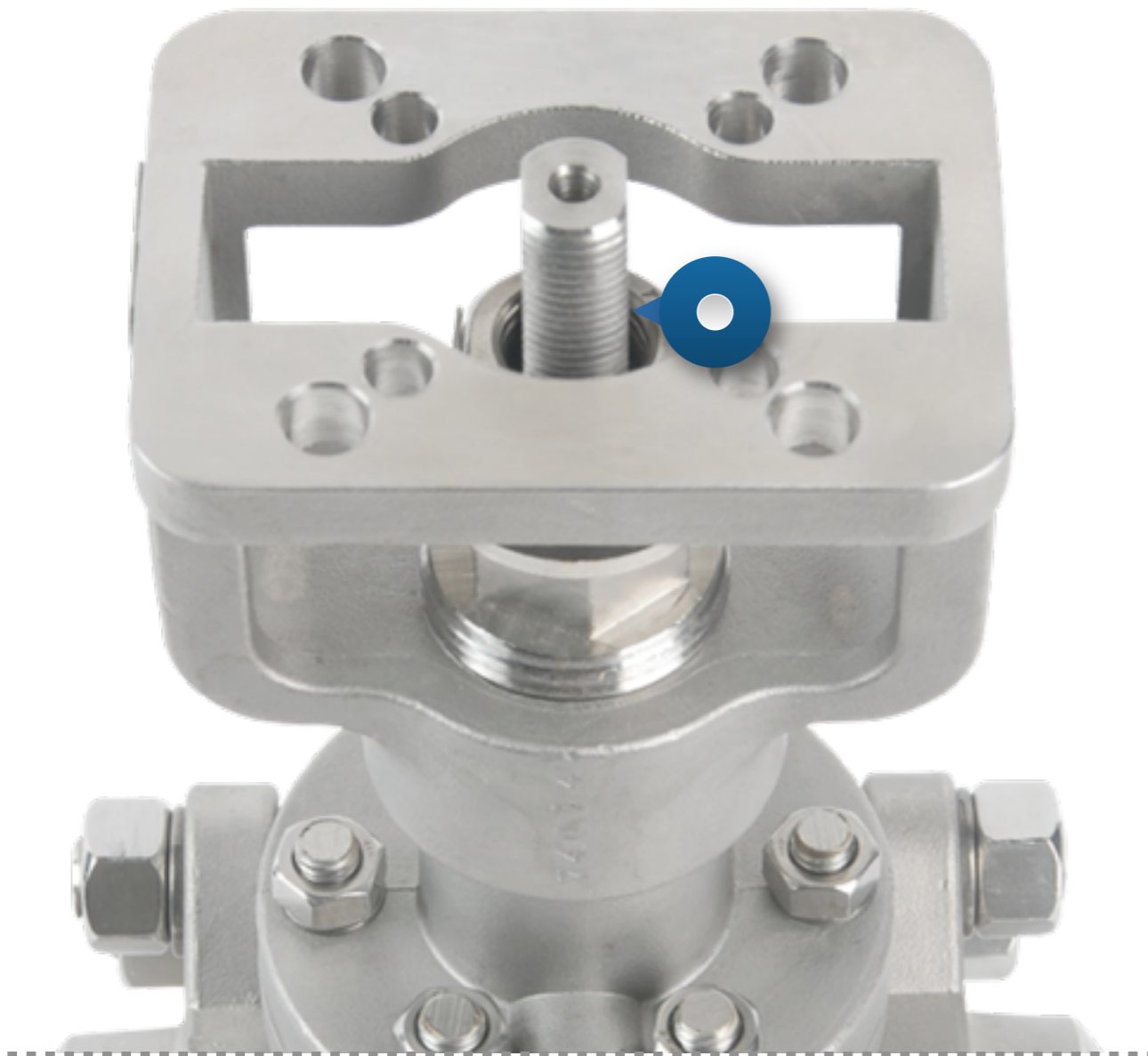
CLEARVIEW MOUNTING

Dual ISO 5211 mounting patterns

S-CLASS
CUSTOM SOFT SEATED

(905)825-2627
goscovallves.com

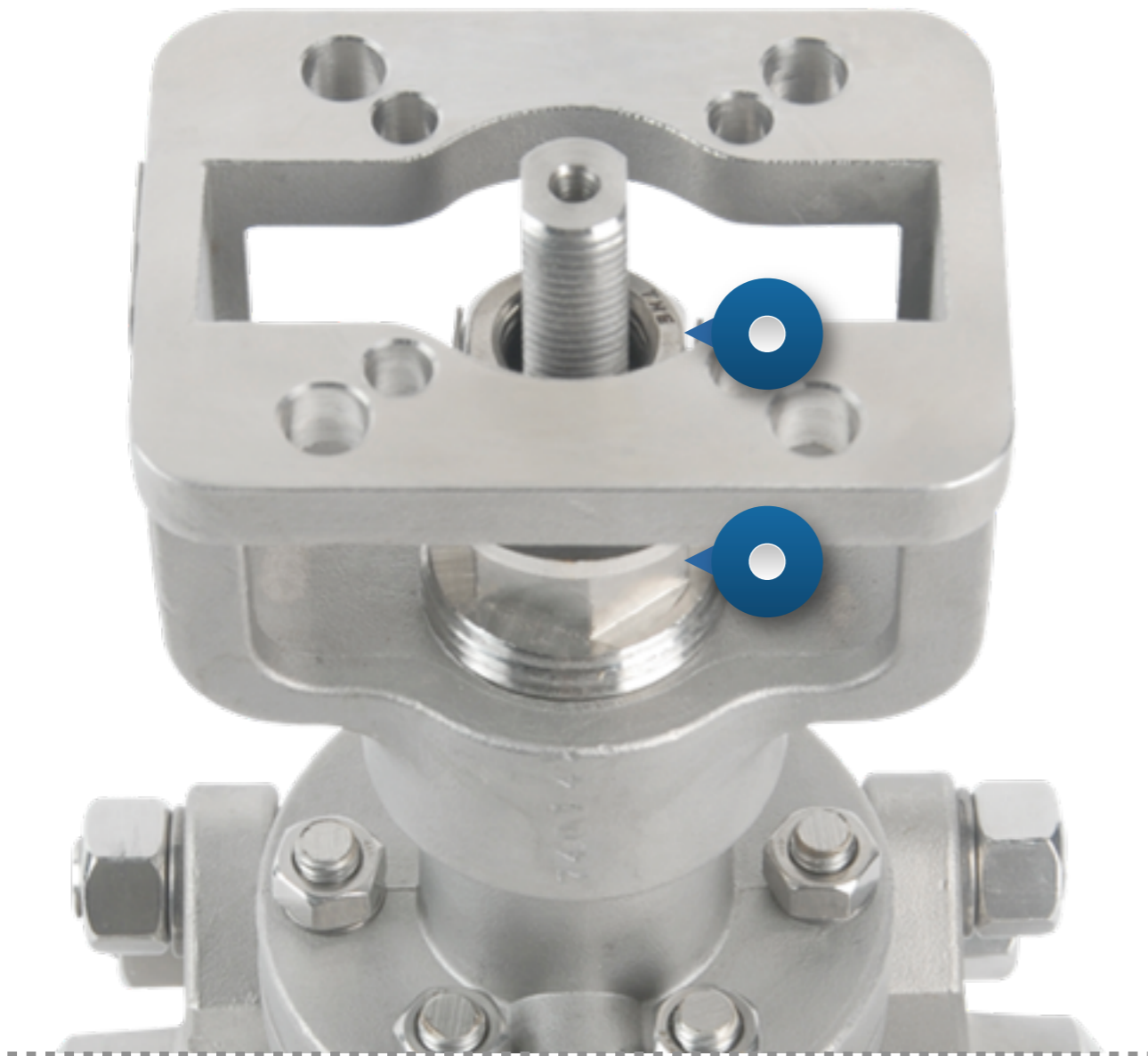




CLEARVIEW MOUNTING

Dual ISO 5211 mounting patterns

Stem flats visible

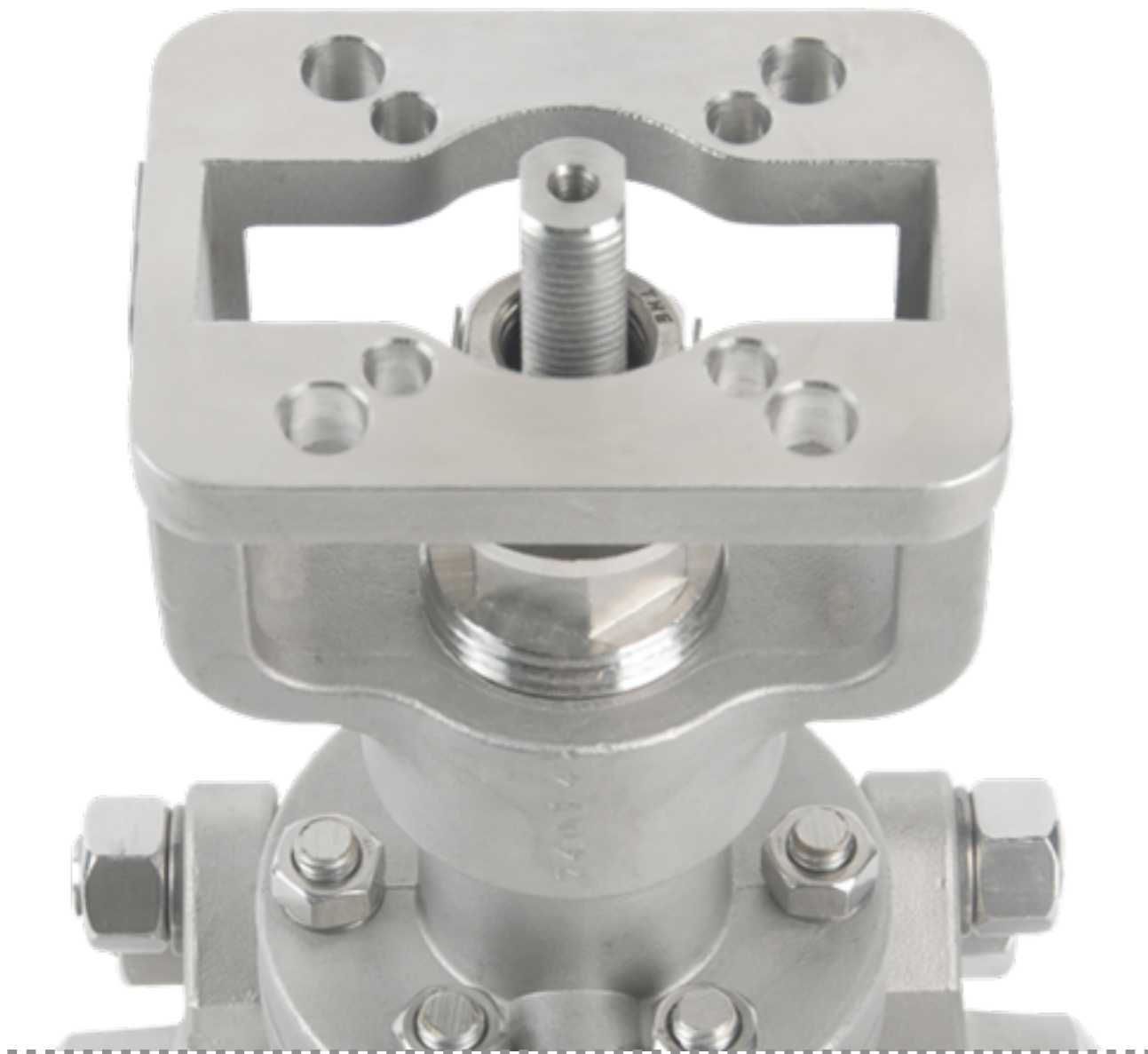


CLEARVIEW MOUNTING

Dual ISO 5211 mounting patterns

Stem flats visible

Packing adjustments above insulation



CLEARVIEW MOUNTING

Dual ISO 5211 mounting patterns

Stem flats visible

Packing adjustments above insulation

Actuator is kept away from hot/cold valve

S-CLASS
CUSTOM SOFT SEATED

(905)825-2627
goscovallves.com





ALLOY OPTIONS

S-CLASS
CUSTOM SOFT SEATED

(905)825-2627
goscovallves.com



Hastelloy

INCONEL

Alloy 20

Ceramic

Titanium

MONEL

Incoloy

Super Duplex

DUPLEX

Zirconium

Tantalum

Customer specified

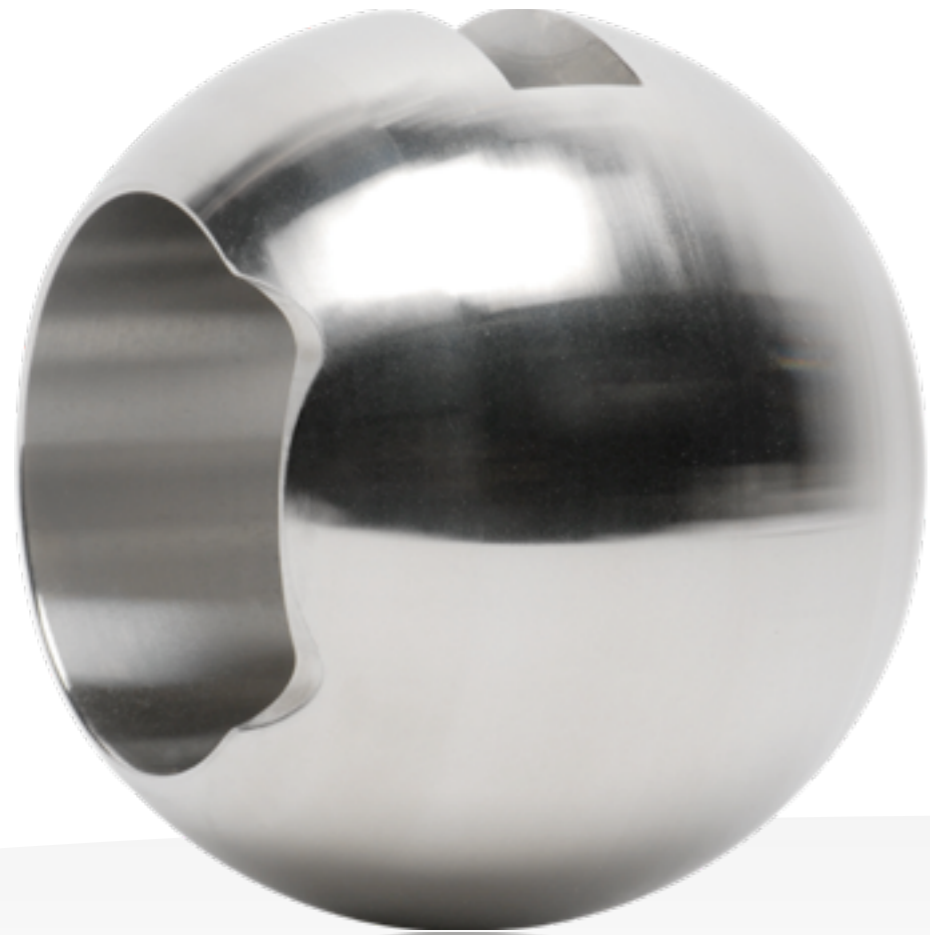


ALLOY OPTIONS

S-CLASS
CUSTOM SOFT SEATED

(905)825-2627
goscovallves.com



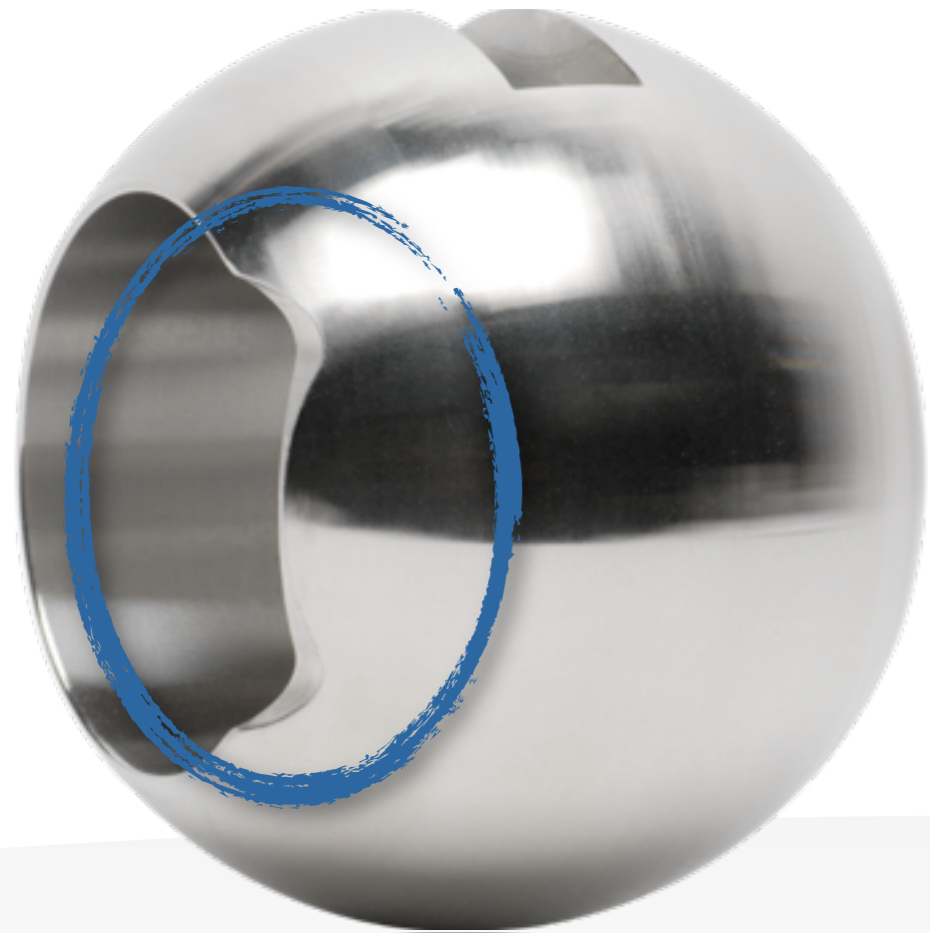


ARCUATE CUT BALL

S-CLASS
CUSTOM SOFT SEATED

(905)825-2627
goscovallves.com





ARCUATE CUT BALL

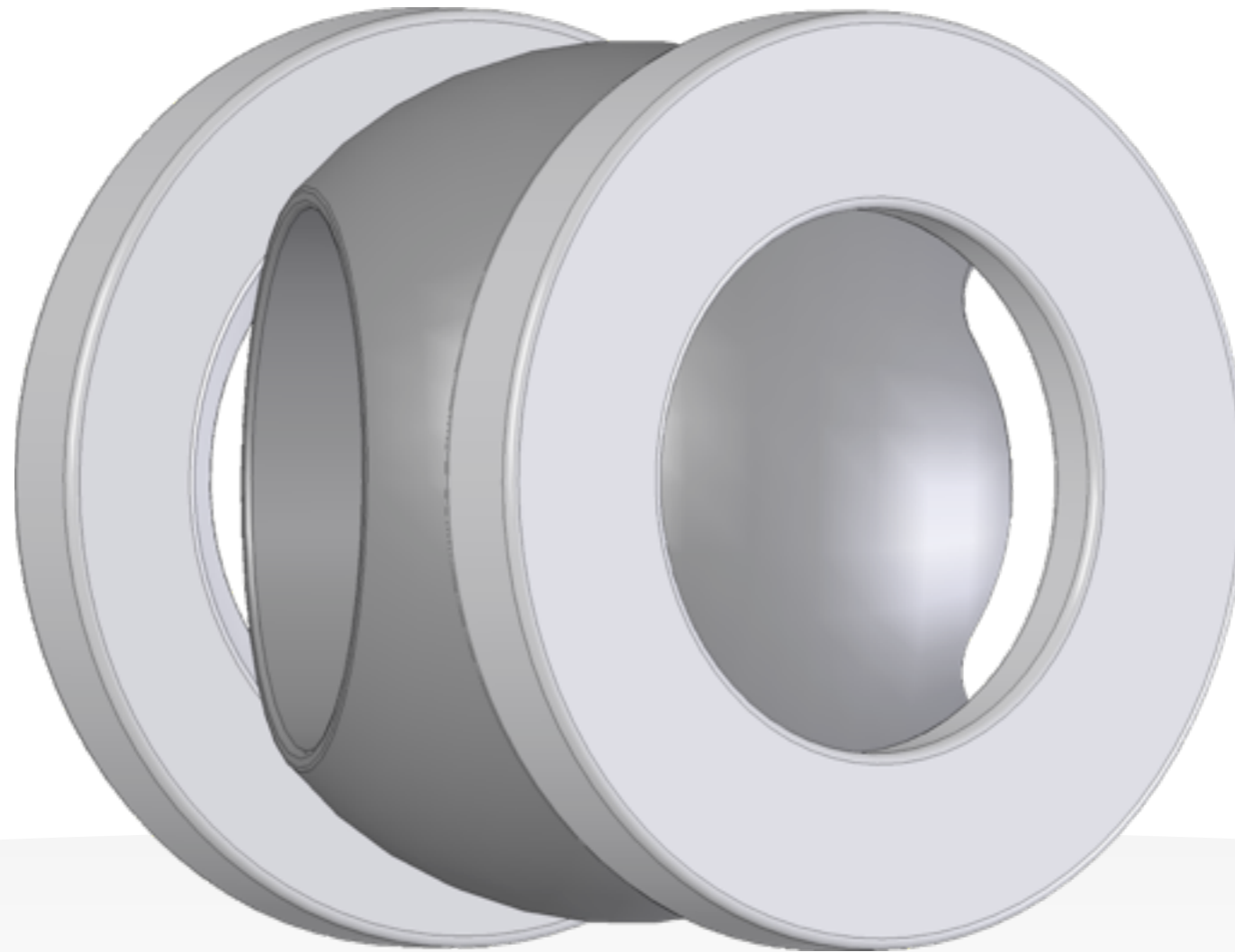
Specific profile is cut on the ball
to reduce velocities

S-CLASS
CUSTOM SOFT SEATED

(905)825-2627
goscovallves.com



STANDARD VS. ARCUATE



S-CLASS
CUSTOM SOFT SEATED

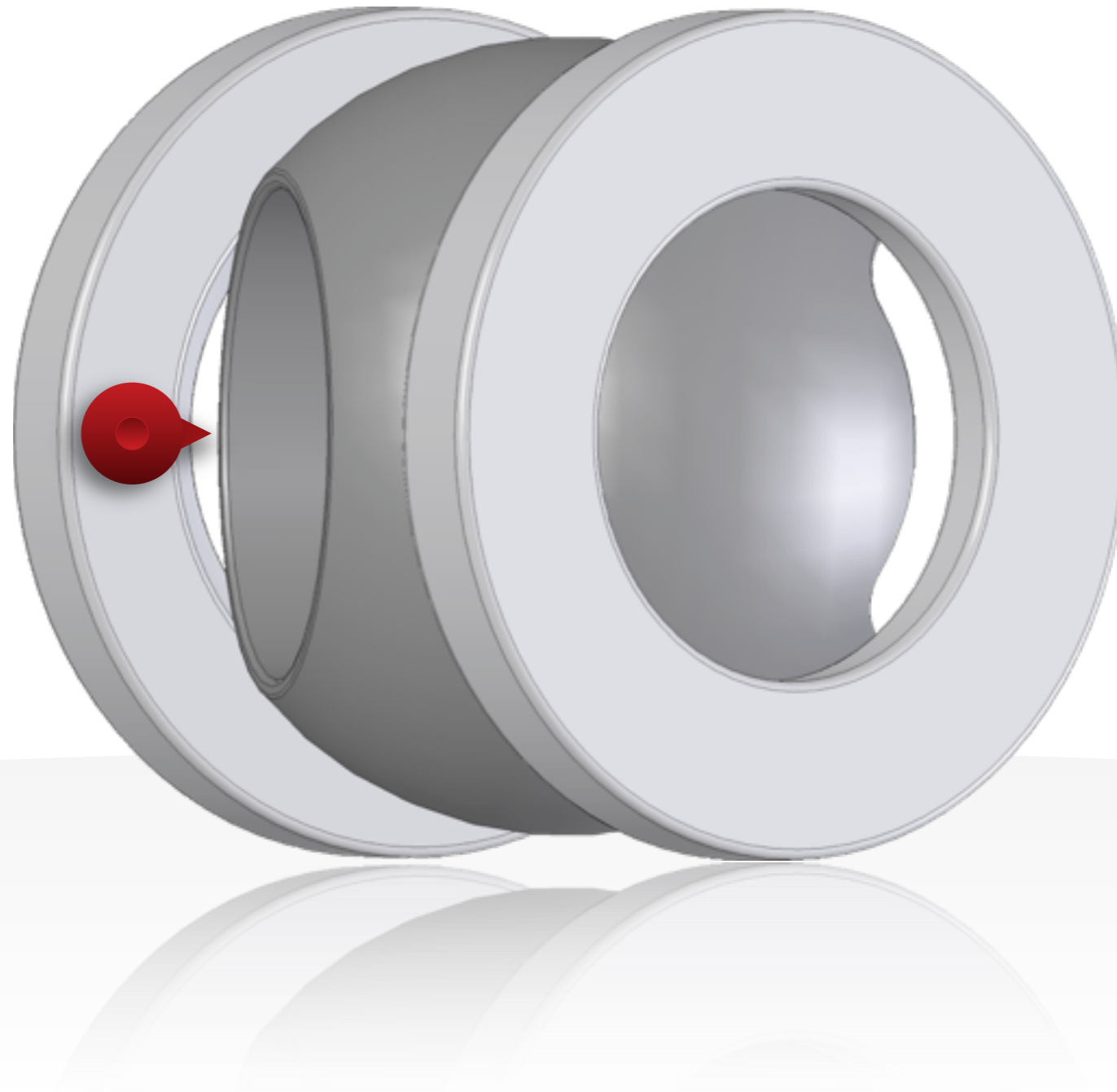
(905)825-2627
goscovallves.com



STANDARD VS. ARCUATE

STANDARD

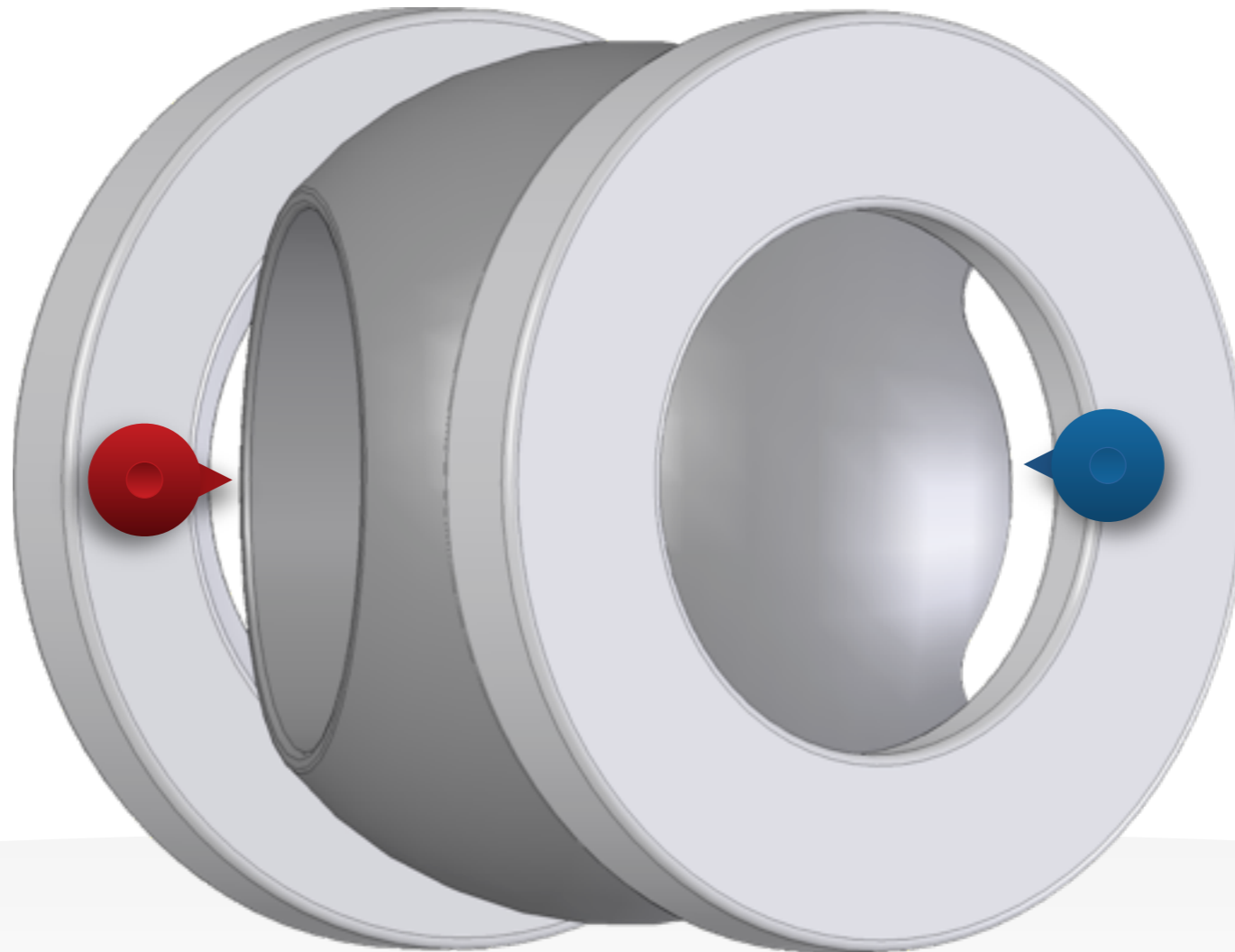
Elliptical opening
Sharp corners
High velocities
Trim damage



STANDARD VS. ARCUATE

STANDARD

- Elliptical opening
- Sharp corners
- High velocities
- Trim damage



ARCUATE

- Increased opening
- No sharp corners
- Flow is spread out
- Less damage

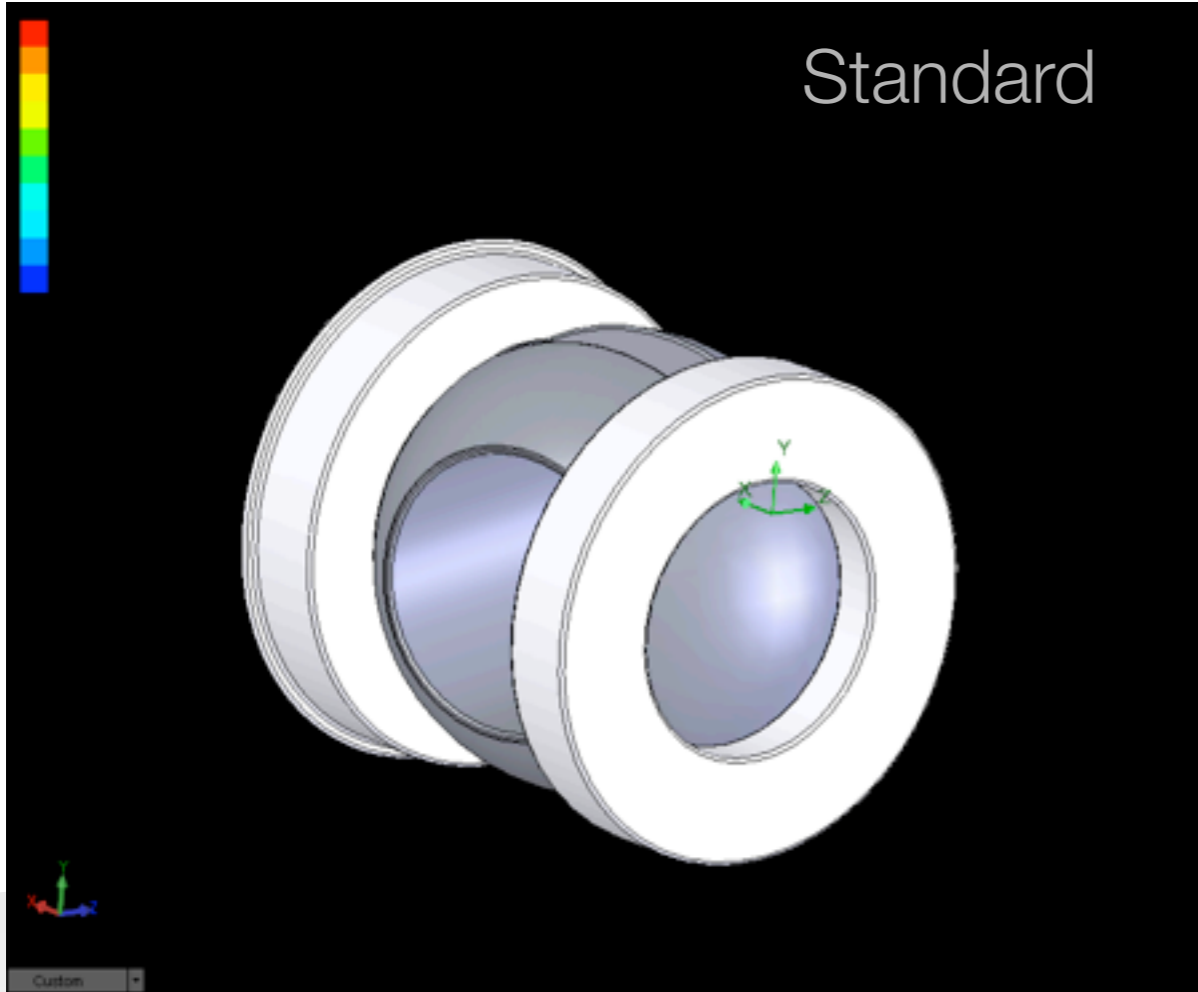
S-CLASS
CUSTOM SOFT SEATED

(905)825-2627
goscovallves.com

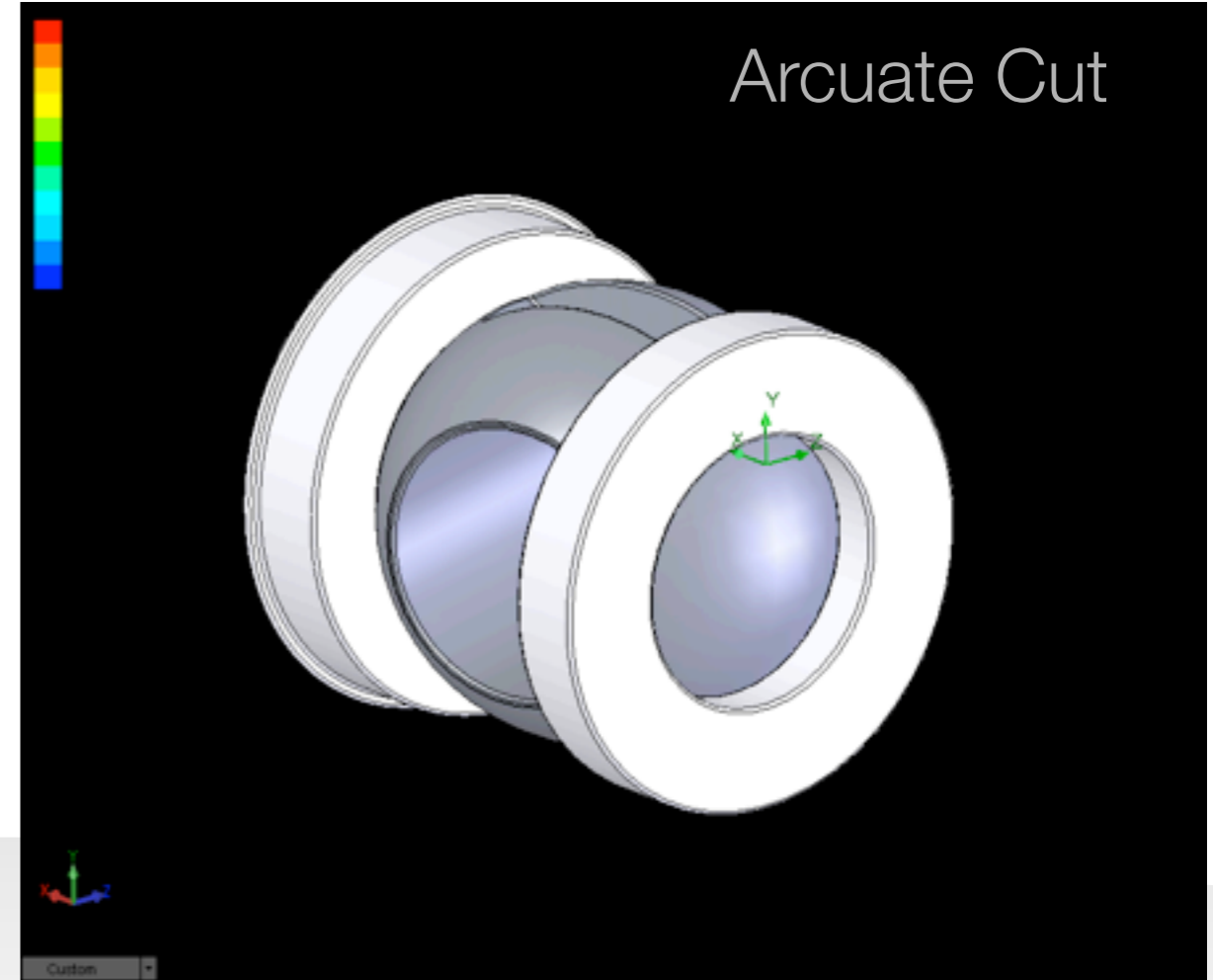


COMPUTATIONAL FLUID DYNAMICS (CFD)

Standard



Arcuate Cut



S-CLASS
CUSTOM SOFT SEATED

(905)825-2627
goscovallves.com

KEYSTONE



KINETROL ACTUATOR

S-CLASS
CUSTOM SOFT SEATED

(905)825-2627
goscovallves.com

KEYSTONE



KINETROL ACTUATOR

Simple design

S-CLASS
CUSTOM SOFT SEATED

(905)825-2627
goscovales.com

KEYSTONE



KINETROL ACTUATOR

Simple design

One moving part

S-CLASS
CUSTOM SOFT SEATED

(905)825-2627
goscovales.com

KEYSTONE



KINETROL ACTUATOR

Simple design

One moving part

Kinetrol accessories

S-CLASS
CUSTOM SOFT SEATED

(905)825-2627
goscovales.com

KEYSTONE



KINETROL ACTUATOR

Simple design

One moving part

Kinetrol accessories

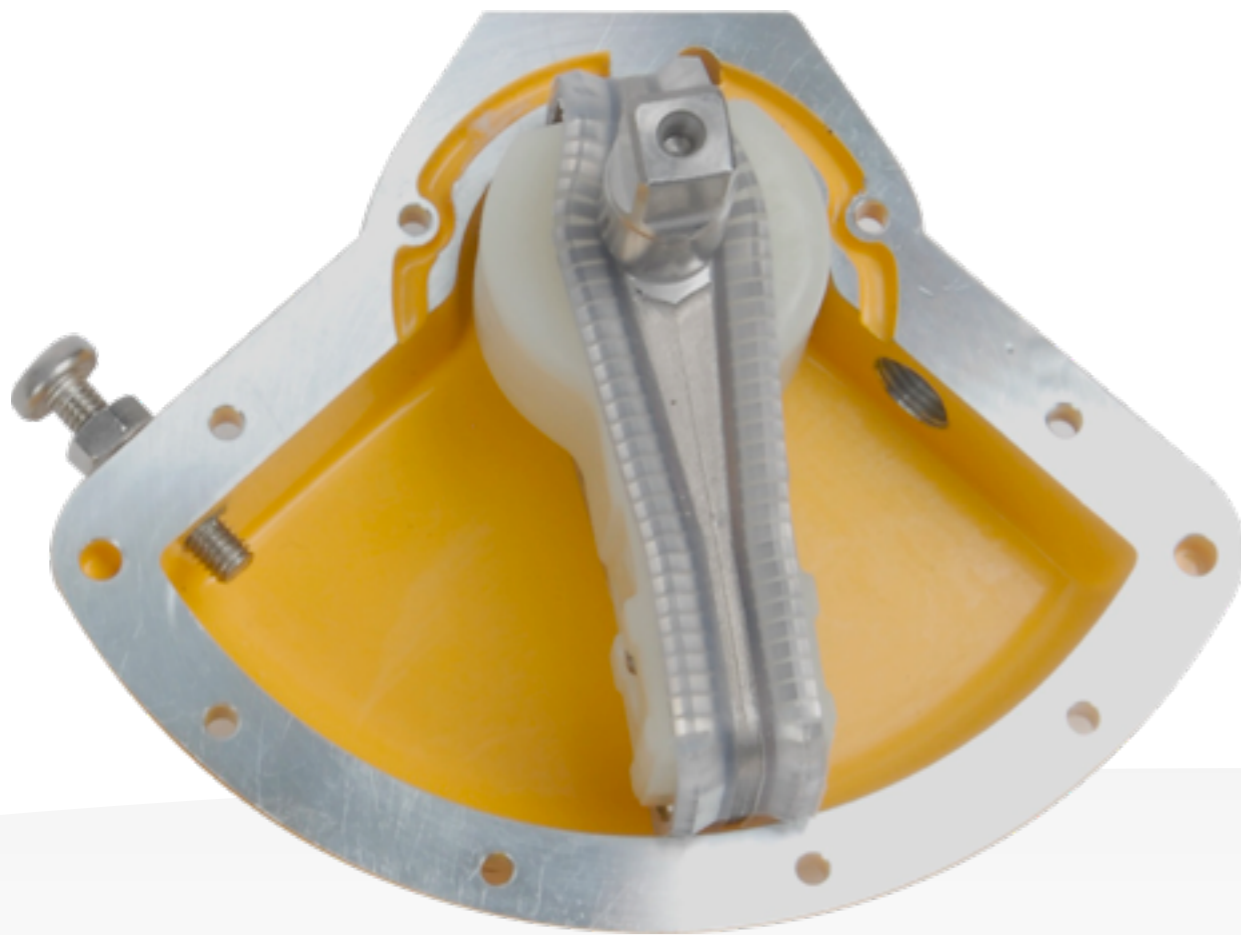
Low maintenance cost

S-CLASS
CUSTOM SOFT SEATED

(905)825-2627
goscovallves.com

KEYSTONE

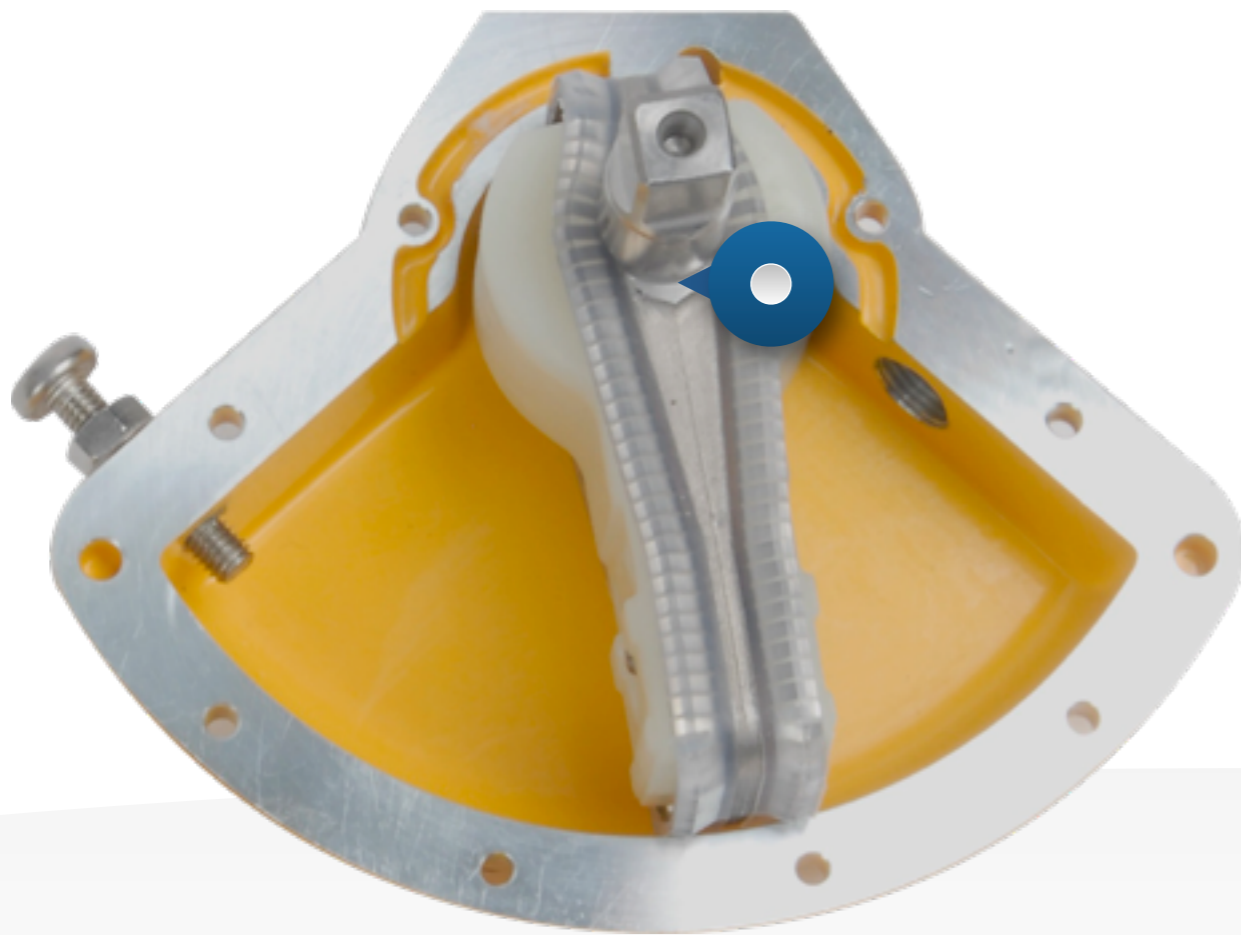
VANE STYLE ACTUATOR



S-CLASS
CUSTOM SOFT SEATED

(905)825-2627
goscovalves.com

KEYSTONE



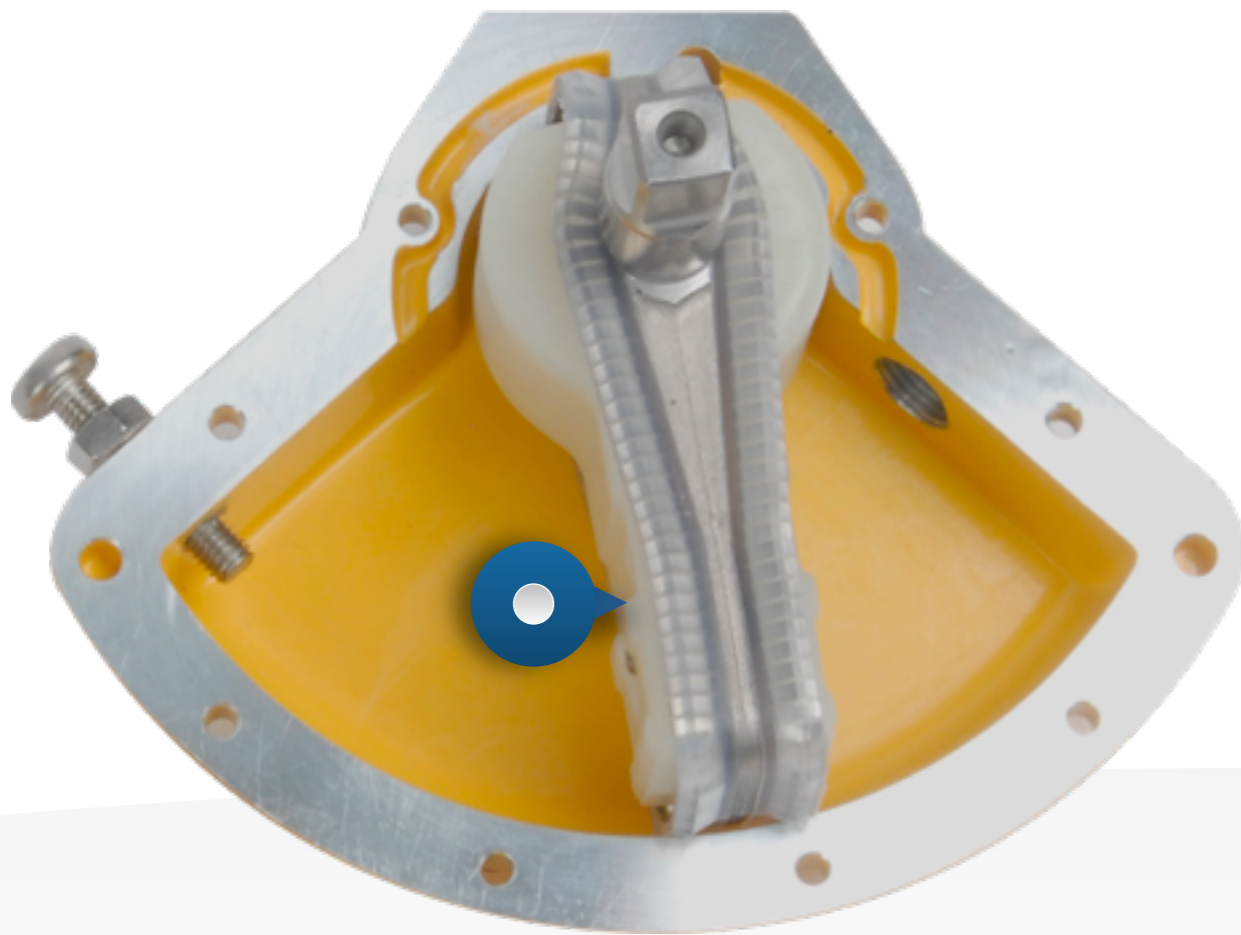
VANE STYLE ACTUATOR

Integral vane and shaft

S-CLASS
CUSTOM SOFT SEATED

(905)825-2627
goscovallves.com

KEYSTONE



VANE STYLE ACTUATOR

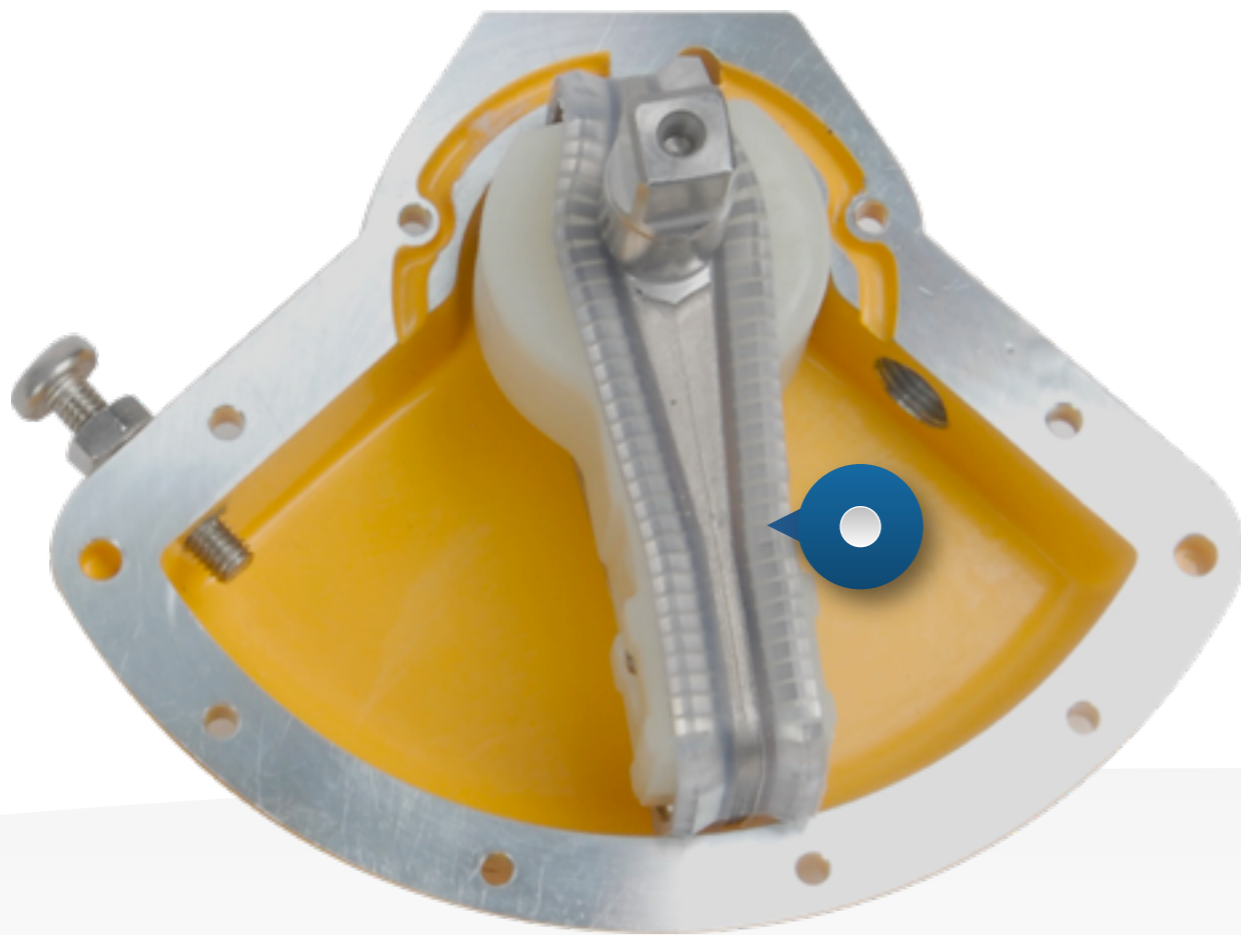
Integral vane and shaft

Energy absorbent side plates

S-CLASS
CUSTOM SOFT SEATED

(905)825-2627
goscovallves.com

KEYSTONE

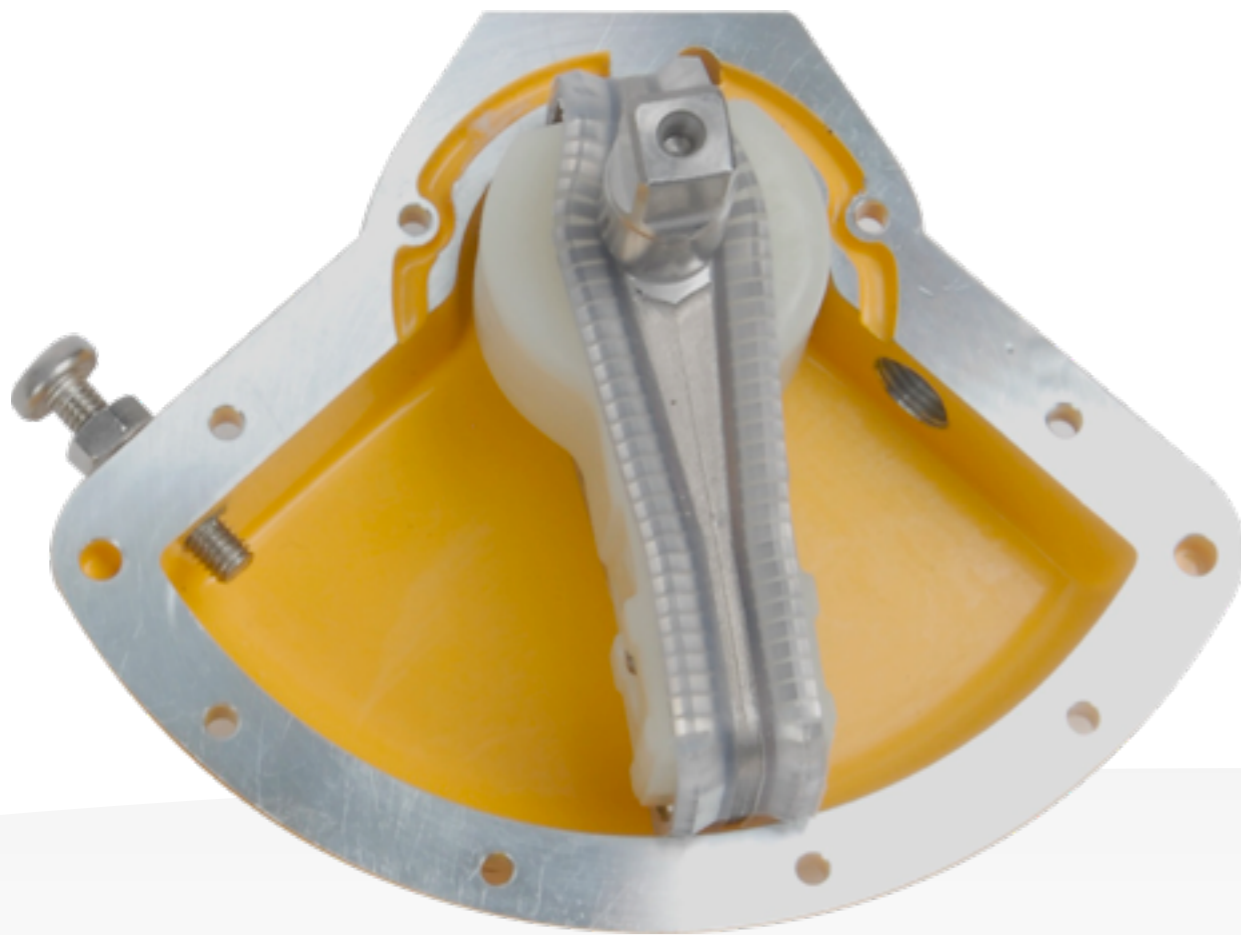


VANE STYLE ACTUATOR

Integral vane and shaft

Energy absorbent side plates

Pressure assisted seals



VANE STYLE ACTUATOR

Integral vane and shaft
Energy absorbent side plates
Pressure assisted seals
Consistent torque output

S-CLASS
CUSTOM SOFT SEATED

(905)825-2627
goscovallves.com

KEYSTONE

S-CLASS
CUSTOM SOFT SEATED

(905)825-2627
goscovallves.com

KEYSTONE



FAST TRACK

S-CLASS
CUSTOM SOFT SEATED

(905)825-2627
goscovales.com

KEYSTONE



FAST TRACK

Expedited machining/assembly/shipping



FAST TRACK

Expedited machining/assembly/shipping

Fee is based on costs incurred



FAST TRACK

Expedited machining/assembly/shipping

Fee is based on costs incurred

Not on time? No Fast Track charge.

S-CLASS
CUSTOM SOFT SEATED

(905)825-2627
goscovallves.com

KEYSTONE

DESIGN SPECIFICATIONS



S-CLASS
CUSTOM SOFT SEATED

(905)825-2627
goscovallves.com

KEYSTONE

DESIGN SPECIFICATIONS

ASME B16.34, B16.5, B16.10, B16.11, B16.20

API 608, 598

MSS SP-25, SP-54, SP-55

ASTM A193/A 194M-96b, A194/A 194M-96

CRN 0911851.34567890YT

ISO 9001:2008

Customer Specified



S-CLASS
CUSTOM SOFT SEATED

(905)825-2627
goscovallves.com

KEYSTONE

SATISFIED GOSCO CUSTOMERS

S-CLASS
CUSTOM SOFT SEATED

(905)825-2627
goscovallves.com

KEYSTONE

SATISFIED GOSCO CUSTOMERS

HUSKY

S-CLASS
CUSTOM SOFT SEATED

(905)825-2627
goscovallves.com

KEYSTONE

SATISFIED GOSCO CUSTOMERS



HUSKY

S-CLASS
CUSTOM SOFT SEATED

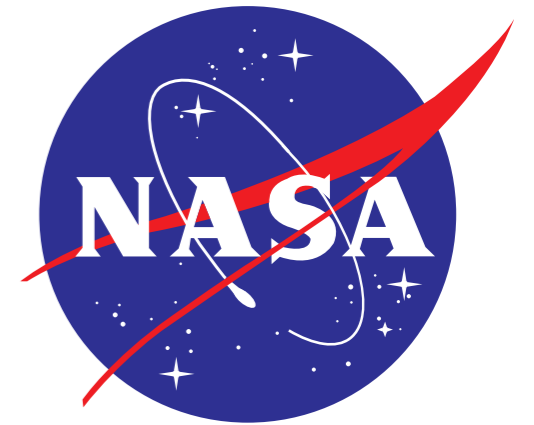
(905)825-2627
goscovales.com

KEYSTONE

SATISFIED GOSCO CUSTOMERS



Bayer



HUSKY

S-CLASS
CUSTOM SOFT SEATED

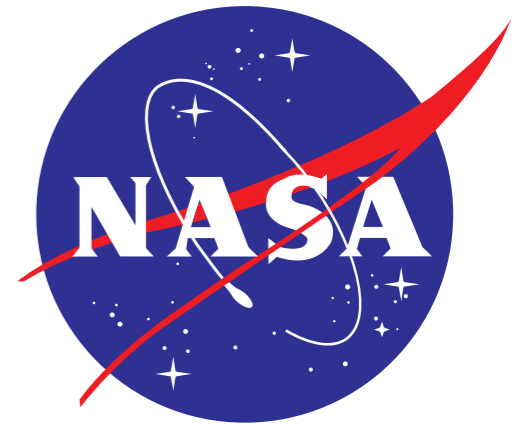
(905)825-2627
goscovallves.com

KEYSTONE

SATISFIED GOSCO CUSTOMERS



Bayer



HUSKY



S-CLASS
CUSTOM SOFT SEATED

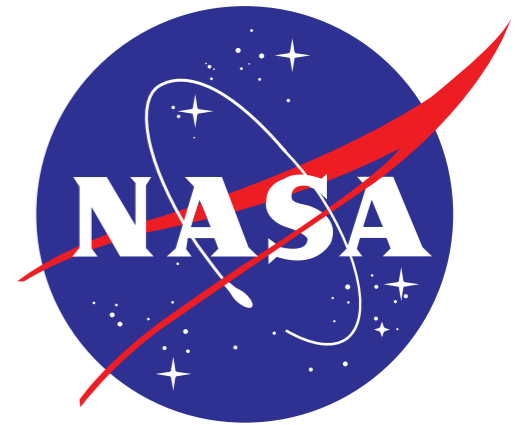
(905)825-2627
goscovallves.com

KEYSTONE

SATISFIED GOSCO CUSTOMERS



Bayer



HUSKY



S-CLASS
CUSTOM SOFT SEATED

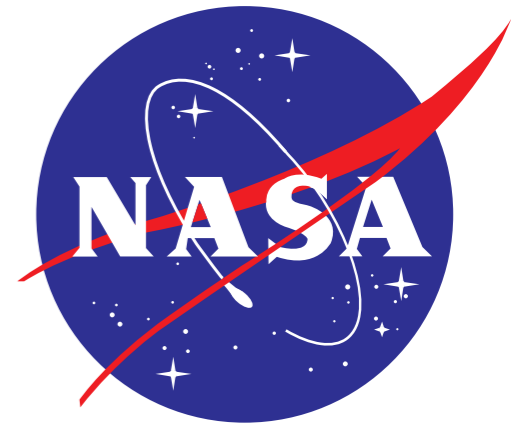
(905)825-2627
goscovales.com

KEYSTONE

SATISFIED GOSCO CUSTOMERS



Bayer



HUSKY



S-CLASS
CUSTOM SOFT SEATED

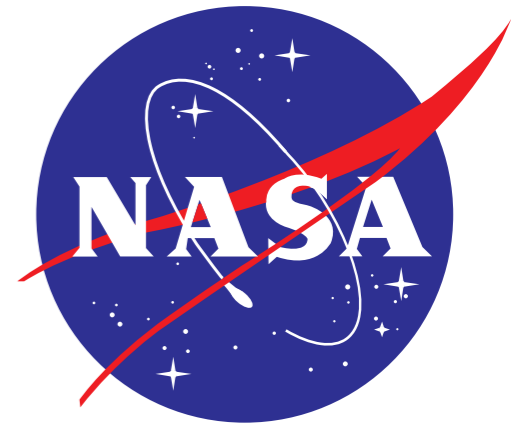
(905)825-2627
goscovales.com

KEYSTONE

SATISFIED GOSCO CUSTOMERS



Bayer



The miracles of science™

HUSKY



S-CLASS
CUSTOM SOFT SEATED

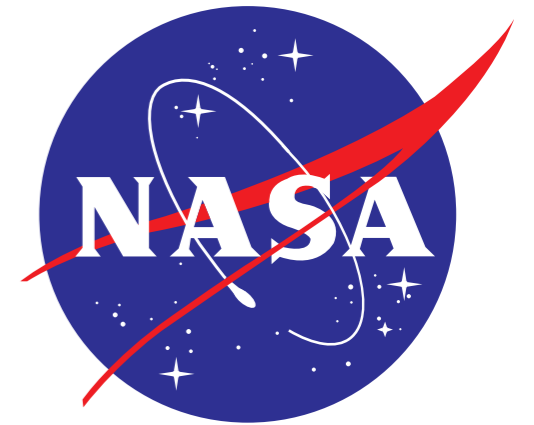
(905)825-2627
goscovales.com

KEYSTONE

SATISFIED GOSCO CUSTOMERS



Bayer



The miracles of science™

HUSKY



S-CLASS
CUSTOM SOFT SEATED

(905)825-2627
goscovales.com

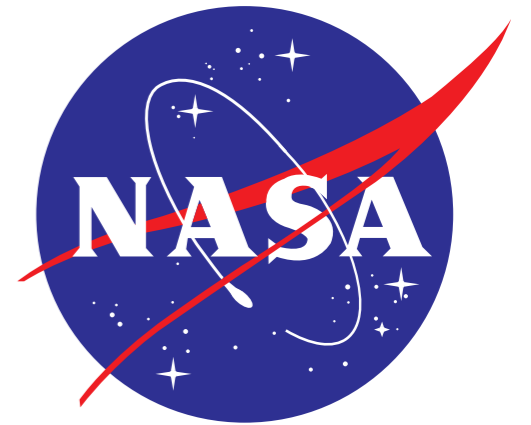
KEYSTONE

SATISFIED GOSCO CUSTOMERS



Bayer

EXXON



The miracles of science™

HUSKY



S-CLASS
CUSTOM SOFT SEATED

(905)825-2627
goscovales.com

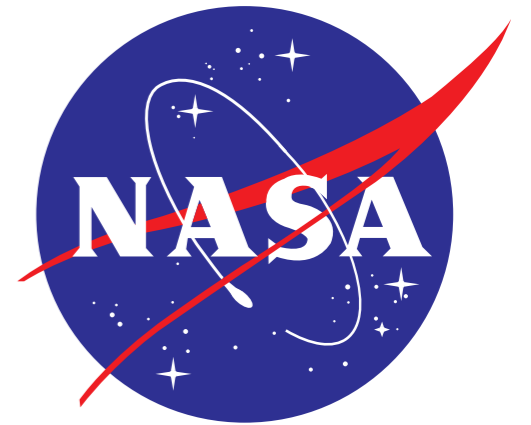
KEYSTONE

SATISFIED GOSCO CUSTOMERS



Bayer

EXXON



The miracles of science™

HUSKY

ConocoPhillips



S-CLASS
CUSTOM SOFT SEATED

(905)825-2627
goscovales.com

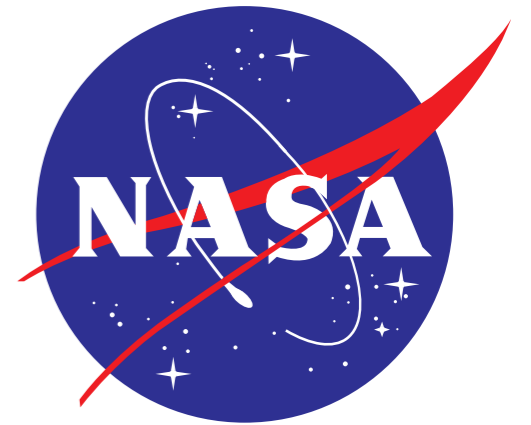
KEYSTONE

SATISFIED GOSCO CUSTOMERS



Bayer

EXXON



The miracles of science™

HUSKY

ConocoPhillips



S-CLASS
CUSTOM SOFT SEATED

(905)825-2627
goscovales.com

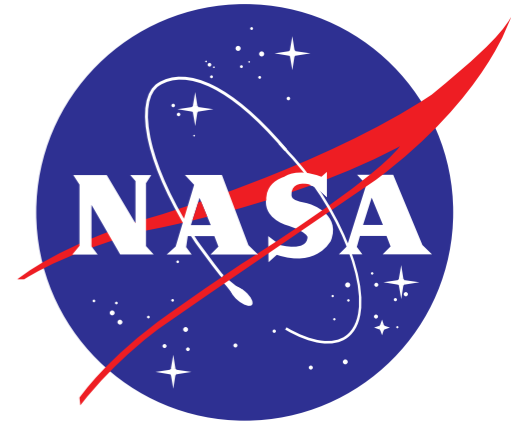
KEYSTONE

SATISFIED GOSCO CUSTOMERS



Bayer

EXXON



The miracles of science™



HUSKY



S-CLASS
CUSTOM SOFT SEATED

(905)825-2627
goscovallves.com

KEYSTONE

We have approximately 250 Gosco valves at Pasadena Refining. They are installed at various locations in the plant, including the S Zorb, Crude, Coker and Alky at this time.

Gosco Valves has provided us with exceptional after sales, service, faster delivery, and high quality product than any of our current valves supplier. They understand our processes and I have confidence in any valve they specify.

I would recommend Gosco Valves to any prospective customer and again, I tell you the services, quality of this Gosco Valve is above 1st rate.”

- Christopher Owens, TAR Planning and Execution Procurement/
Contracts Coordinator, Pasadena Refining

*I would recommend Gosco Valves to any prospective customer and again,
I tell you the services, quality of this Gosco Valve is above 1st rate.”*

S-CLASS
CUSTOM SOFT SEATED

(905)825-2627
goscovallves.com

KEYSTONE

OTHER GOSCO PRODUCTS

S-CLASS
CUSTOM SOFT SEATED

(905)825-2627
goscovallves.com

KEYSTONE

OTHER GOSCO PRODUCTS



ACCESSORIES

GOSCO VALVE ACCESSORIES



S-CLASS
CUSTOM SOFT SEATED

(905)825-2627
goscovallves.com

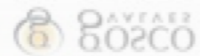
KEYSTONE

OTHER GOSCO PRODUCTS



KINETROL

ACTUATORS AND ACCESSORIES



ACTUATORS AND ACCESSORIES

KINETROL



ACCESSORIES

GOSCO VALVE ACCESSORIES



GOSCO VALVE ACCESSORIES

ACCESSORIES

S-CLASS
CUSTOM SOFT SEATED

(905)825-2627
goscovallves.com

KEYSTONE

OTHER GOSCO PRODUCTS



S-CLASS
CUSTOM SOFT SEATED

(905)825-2627
goscovallves.com

KEYSTONE